



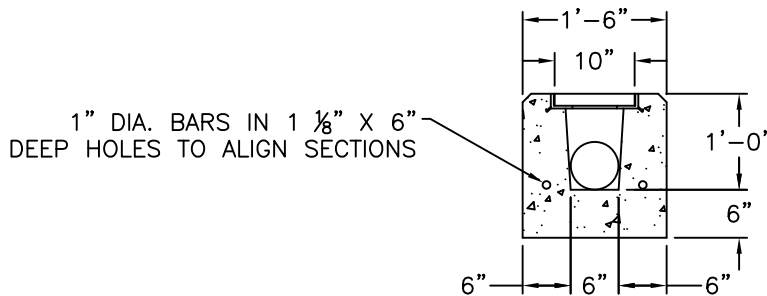
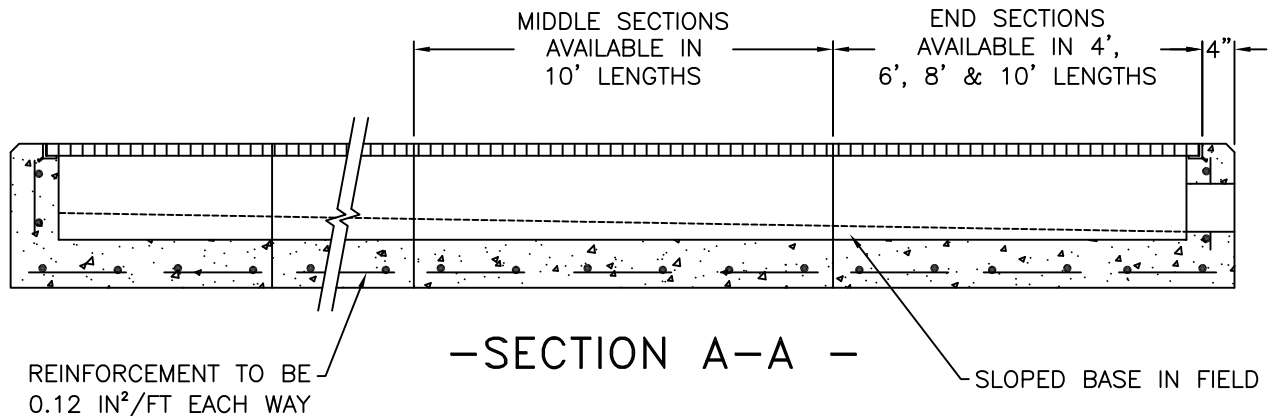
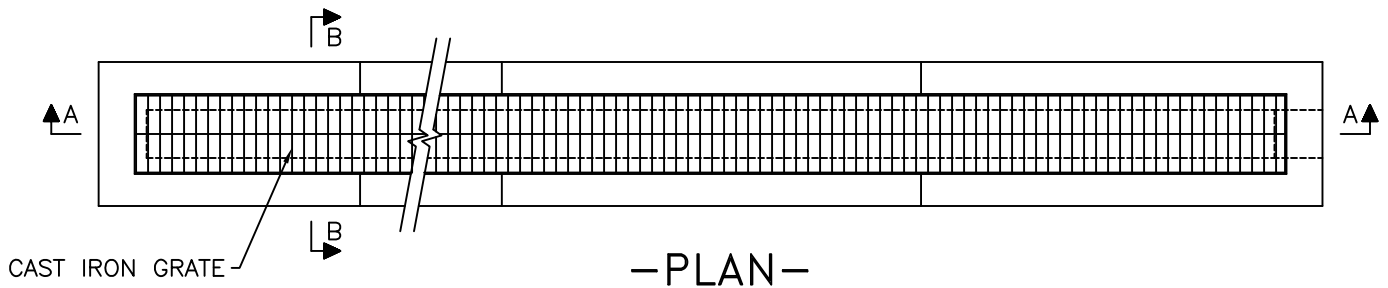
MONARCH

MONARCH PRODUCTS COMPANY, INC.

YORK HAVEN, PA.

NOTES:

1. CONCRETE TO BE 5000 PSI MINIMUM @ 28 DAYS
2. REINFORCEMENT PER ASTM-615, GR. 60
3. GRATES TO BE FURNISHED IN $23 \frac{7}{8}$ " LENGTHS, $1 \frac{1}{2}$ " THICK
4. OPEN AREA OF GRATE TO BE 34 SQ.IN./FT
5. DESIGNED FOR H-20 LOADING
6. AVAILABLE IN 12' LONG COMPLETE SECTION (12'-8" O.S. LENGTH)



PRECAST CONCRETE TRENCH DRAINS WITH 10" WIDE GRATING

DWG. TD-4



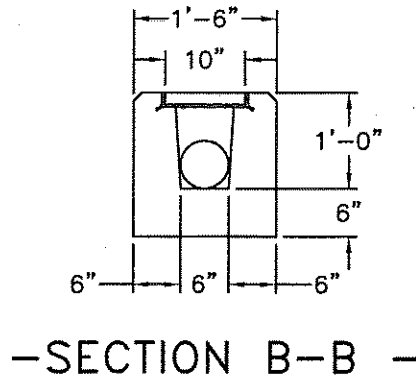
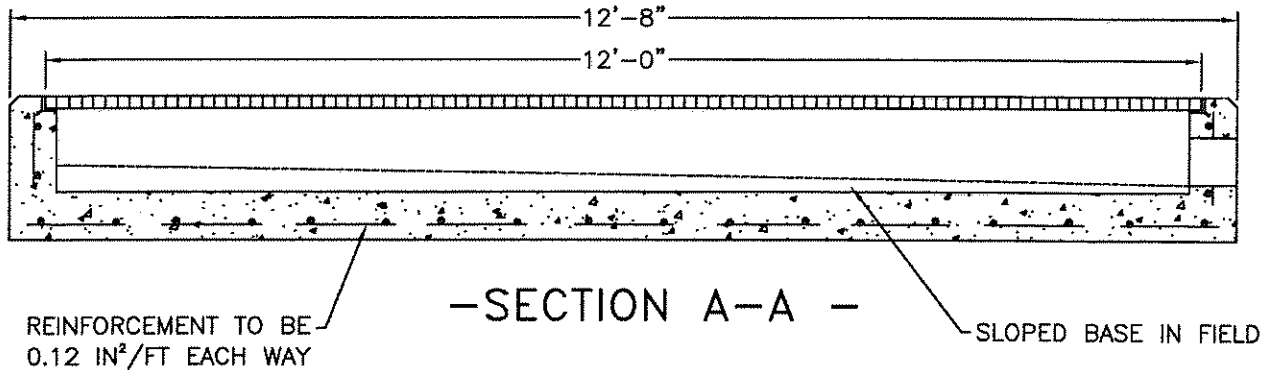
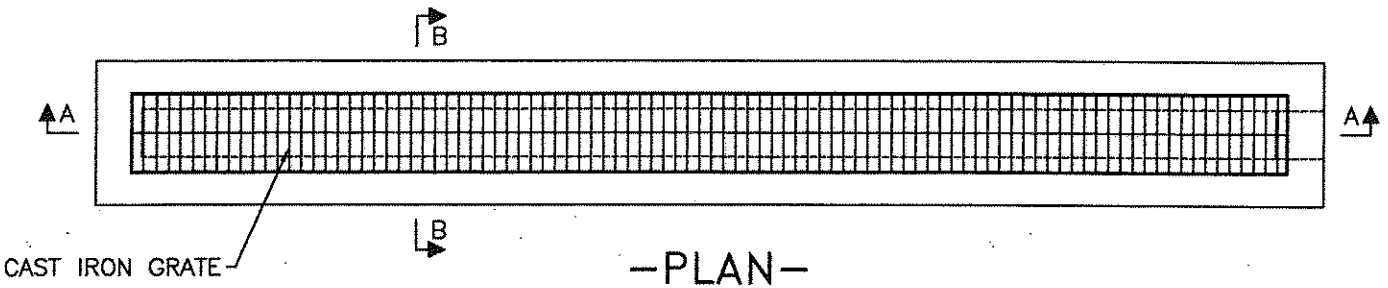
MONARCH

MONARCH PRODUCTS COMPANY, INC.

YORK HAVEN, PA.

NOTES:

1. CONCRETE TO BE 5000 PSI MINIMUM @ 28 DAYS
2. REINFORCEMENT PER ASTM-615, GR. 60
3. GRATES TO BE FURNISHED IN 23 $\frac{7}{8}$ " LENGTHS, 1 $\frac{1}{2}$ " THICK
4. OPEN AREA OF GRATE TO BE 34 SQ.IN./FT
5. DESIGNED FOR H-20 LOADING
6. LENGTH IS VARIABLE IN 2' INCREMENTS



PRECAST CONCRETE TRENCH DRAINS
WITH 10'' WIDE GRATING

DWG. TD-4