



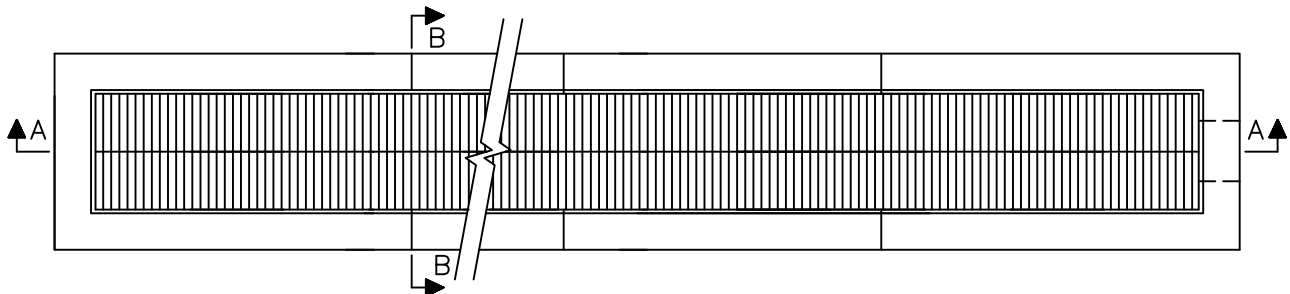
MONARCH

# MONARCH PRODUCTS COMPANY, INC.

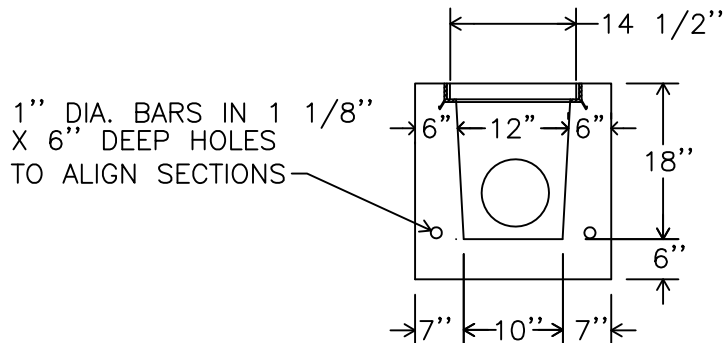
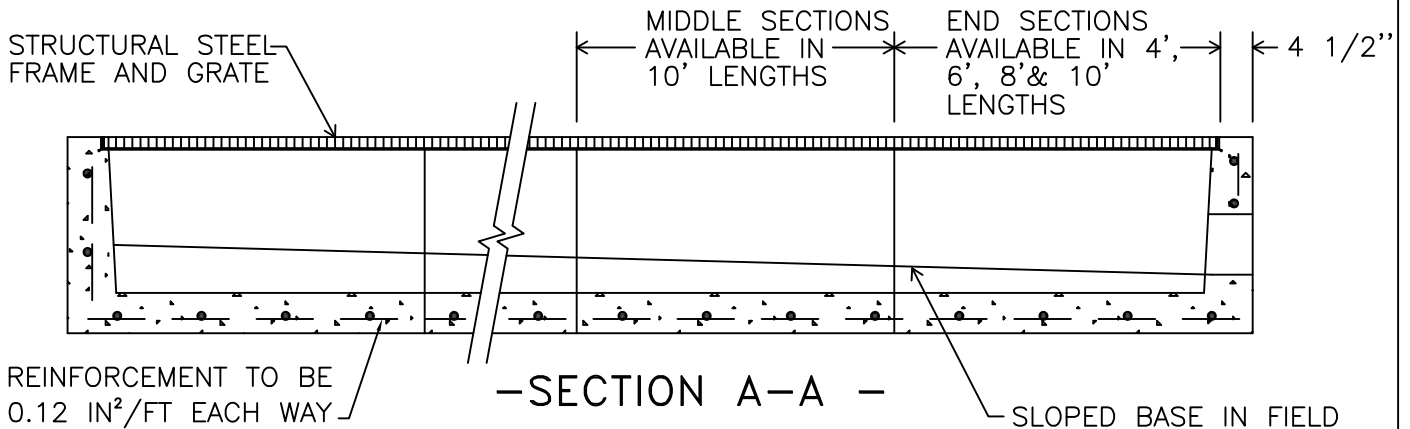
YORK HAVEN, PA.

NOTES:

1. CONCRETE TO BE 5000 PSI MINIMUM @ 28 DAYS
2. REINFORCEMENT PER ASTM-615, GR. 60
3. GRATES TO BE FURNISHED IN  $23 \frac{7}{8}$ " LENGTHS,  $2 \frac{1}{2}$ " THICK
4. OPEN AREA OF GRATE TO BE 116 SQ.IN./FT
5. DESIGNED FOR HS-25 LOADING
6. AVAILABLE IN 10' LONG COMPLETE SECTION (11'-2" O.S. LENGTH)



-PLAN-



## PRECAST CONCRETE TRENCH DRAINS WITH 14 1/2" WIDE GRATING

DWG. TD-3