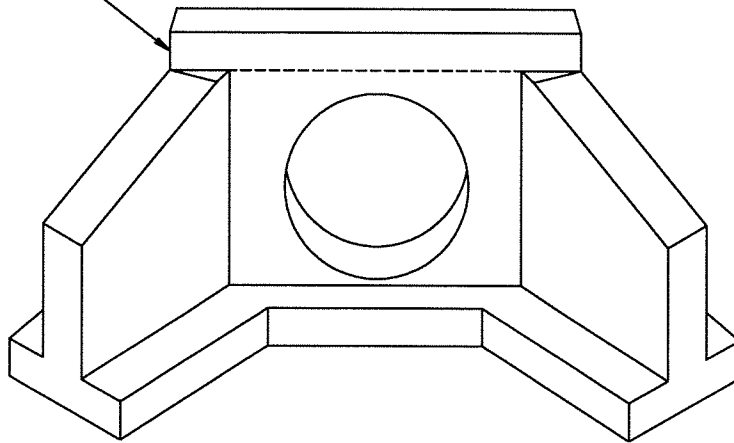




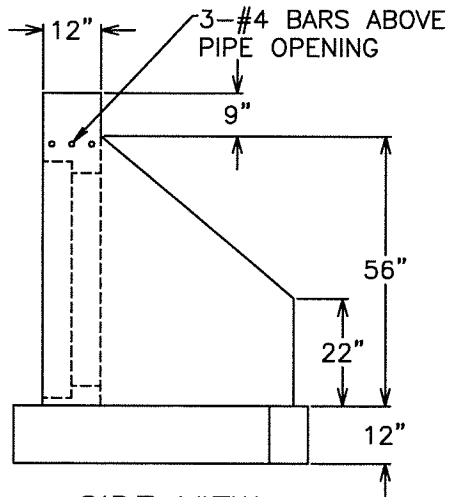
MONARCH

MONARCH PRODUCTS COMPANY, INC.
YORK HAVEN, PA.

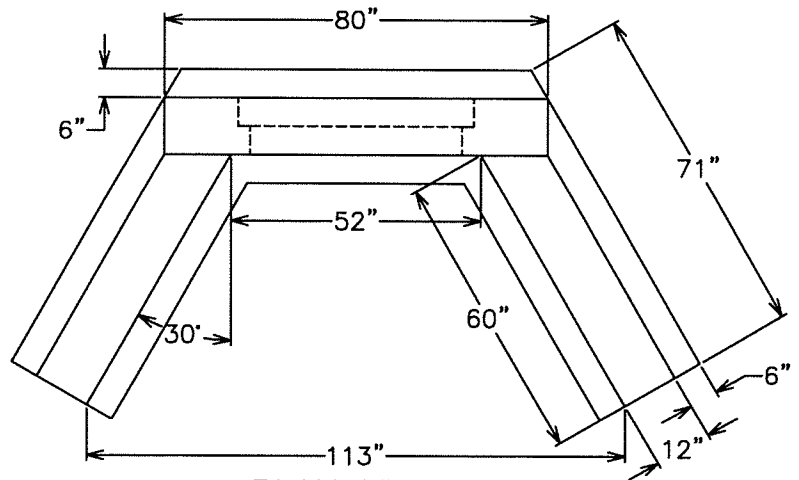
AVAILABLE WITHOUT
TOP RISER SECTION



-ISOMETRIC-



-SIDE VIEW-



-PLAN VIEW-

SPECIFICATIONS:

- REINFORCEMENT TO BE 0.12 IN²/FT EACH WAY
- REINFORCING STEEL TO BE ASTM A615, GRADE 60
- THIS ENDWALL IS ADEQUATE FOR PIPE SKEWS BETWEEN 90° AND 70°
- OVERALL BASE DIMENSIONS ARE 144" X 73"

TYPE D-W ENDWALL
MAXIMUM PIPE SIZE - 48" R.C.P.

DWG. EW-12L