

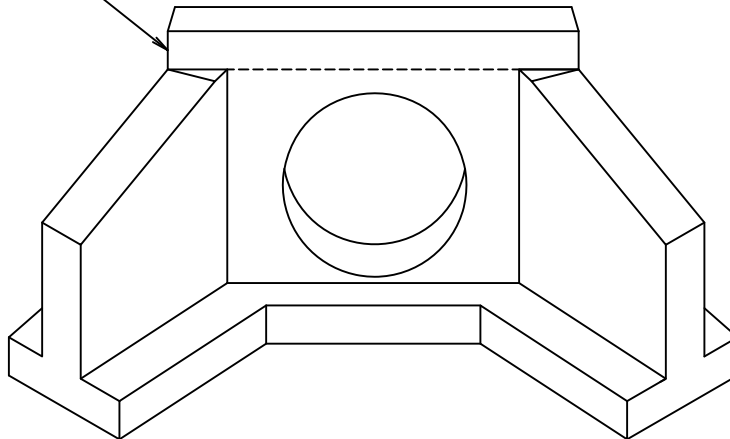


MONARCH

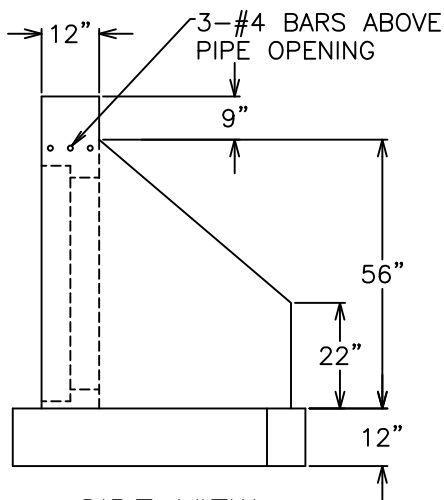
MONARCH PRODUCTS COMPANY, INC.

YORK HAVEN, PA.

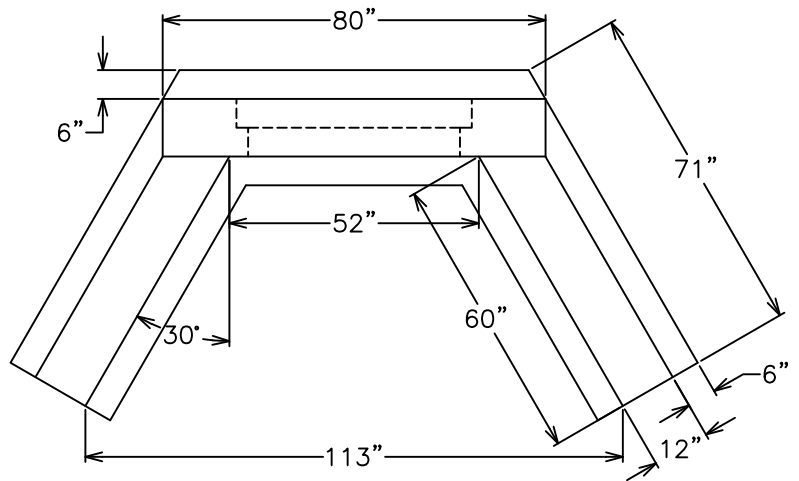
AVAILABLE WITHOUT
TOP RISER SECTION



—ISOMETRIC—



—SIDE VIEW—



—PLAN VIEW—

SPECIFICATIONS:

- REINFORCEMENT TO BE 0.12 IN²/FT EACH WAY
- MATERIAL AND CONSTRUCTION TO COMPLY WITH PENNDOT PUBLICATION 408
- REINFORCING STEEL TO BE ASTM A615, GRADE 60
- THIS ENDWALL IS ADEQUATE FOR PIPE SKEWS BETWEEN 90° AND 70°
- REINFORCING MEETS RC-31M SPECIFICATIONS
- OVERALL BASE DIMENSIONS ARE 144" X 73"

TYPE D-W ENDWALL
MAXIMUM PIPE SIZE — 48" R.C.P.

DWG. EW-12L