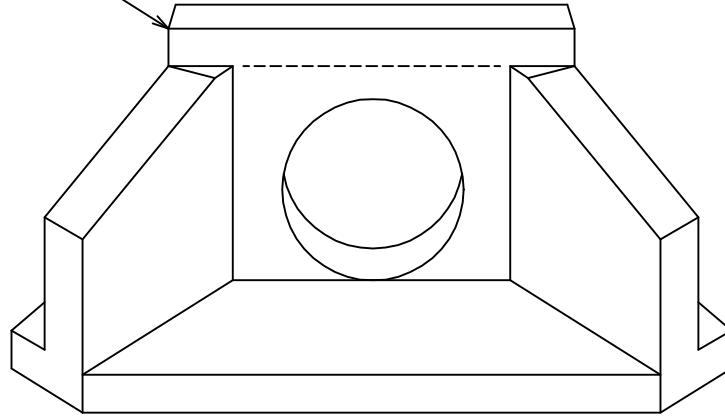




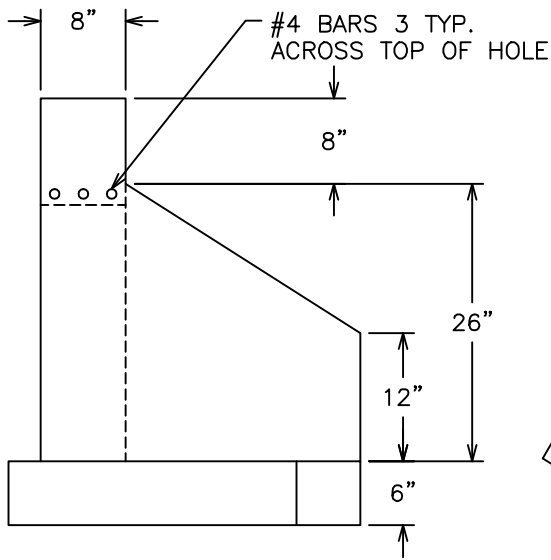
MONARCH

MONARCH PRODUCTS COMPANY, INC.
YORK HAVEN, PA.

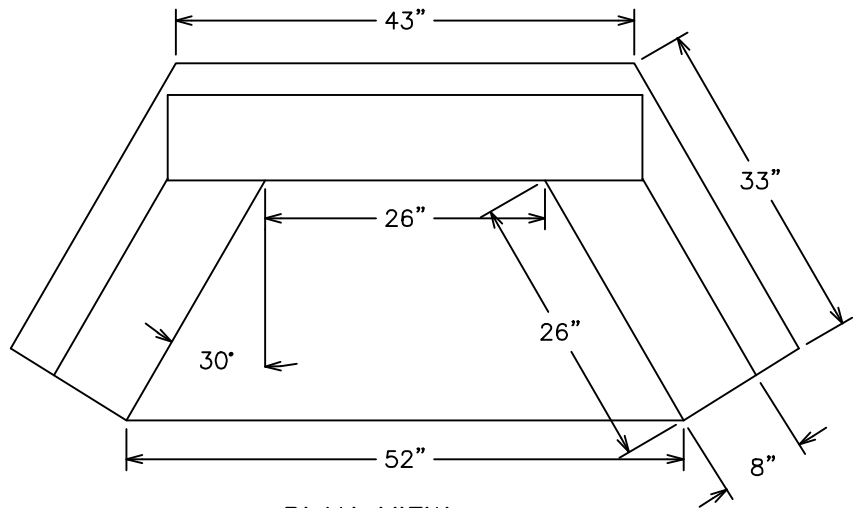
AVAILABLE WITHOUT
TOP RISER SECTION



-ISOMETRIC-



-SIDE VIEW-



-PLAN VIEW-

NOTE: REINFORCEMENT TO BE 0.12 IN²/FT. EACH WAY

TYPE D-W ENDWALL
MAXIMUM PIPE SIZE - 21" C.M.P.

DWG. OS-1