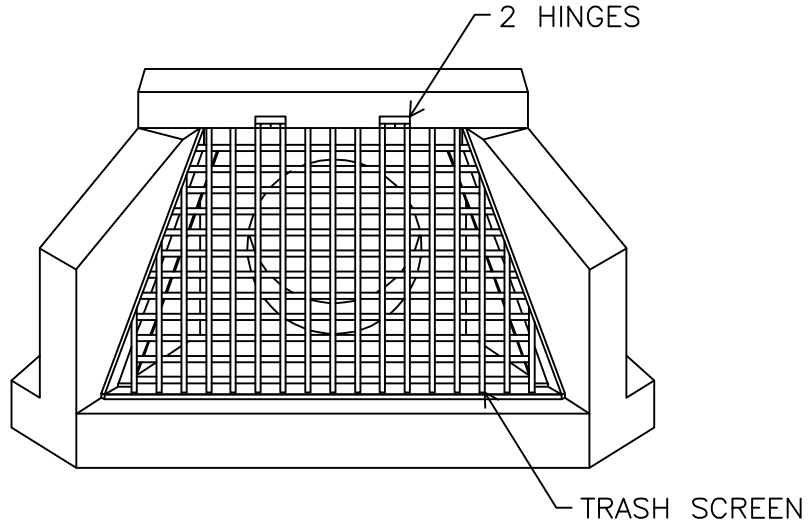


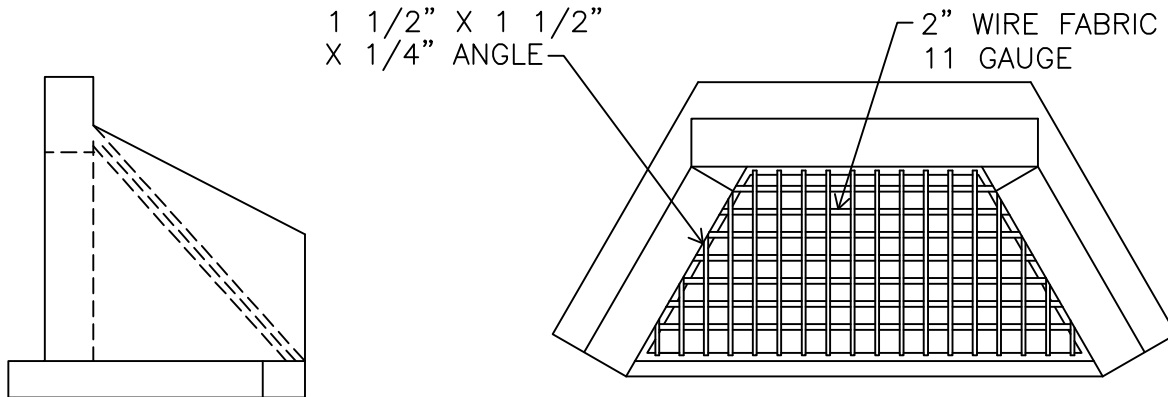


MONARCH

MONARCH PRODUCTS COMPANY, INC.
YORK HAVEN, PA.



-ISOMETRIC-



-SIDE-

-PLAN-

NOTES

- 1.) TRASH SCREEN TO BE HOT DIPPED GALVANIZED AFTER FABRICATION.
- 2.) ATTACH HINGES TO HEADWALL WITH 3/8" DIA. S.S. ANCHOR BOLTS.
- 3.) NON-HINGED VERSION AVAILABLE.

TYPE D-W ENDWALL
W/ TRASH SCREEN

DWG. OS-10