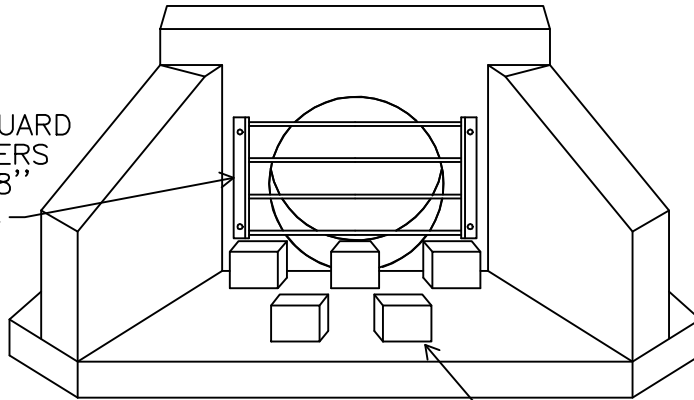




MONARCH

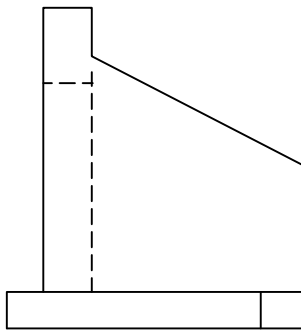
MONARCH PRODUCTS COMPANY, INC.
YORK HAVEN, PA.

1/2" DIA. GALV. GUARD
BARS ON 6" CENTERS
ATTACHED WITH 3/8"
DIA. S.S. ANCHORS.

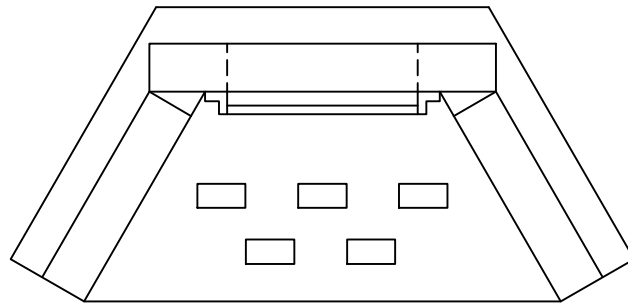


-ISOMETRIC-

4" X 8" CONCRETE
BLOCKS 6" HIGH



-SIDE VIEW-



-PLAN VIEW-

TYPE D-W ENDWALL
W/ BLOCKS AND TRASH RACK

DWG. OS-8