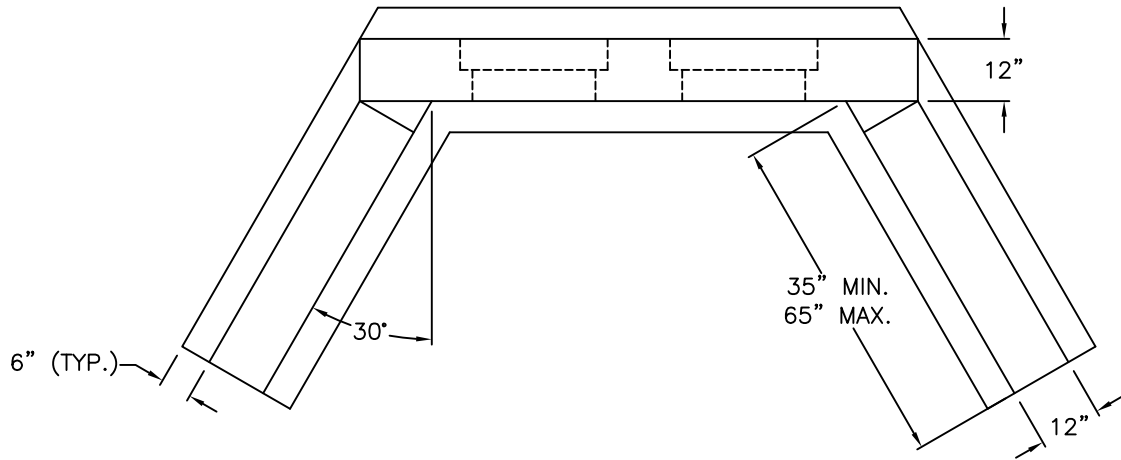


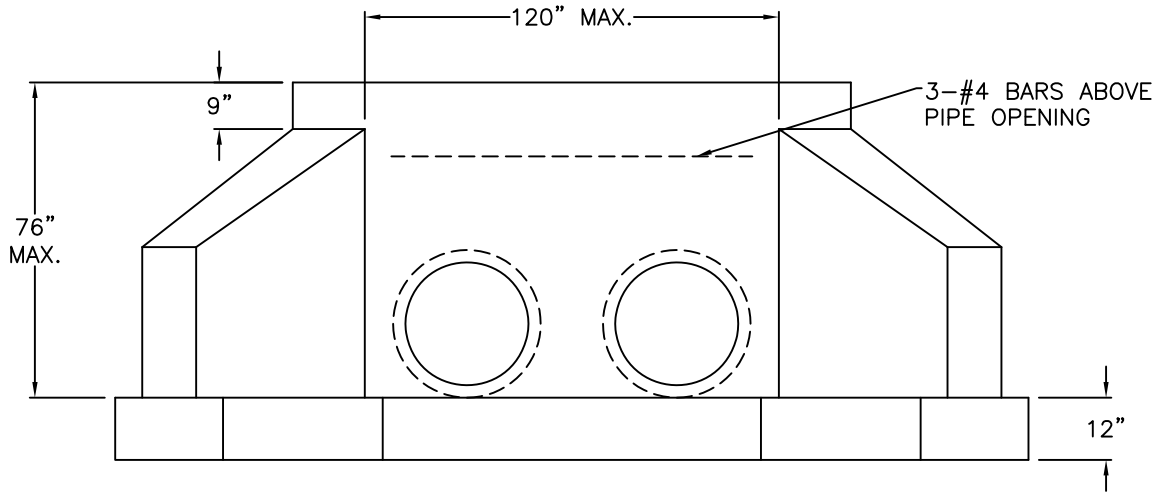


MONARCH

MONARCH PRODUCTS COMPANY, INC.  
YORK HAVEN, PA.



-PLAN VIEW-



-ELEVATION-

NOTES:

- ALL EXPOSED EDGES TO HAVE  $\frac{3}{4}$ " CHAMFER
- MINIMUM 4000 P.S.I. CONCRETE
- REINFORCEMENT TO BE 0.12 IN<sup>2</sup>/FT. EACH WAY

TYPE DW ENDWALL  
ADJUSTABLE SIZES

DWG. OS-4