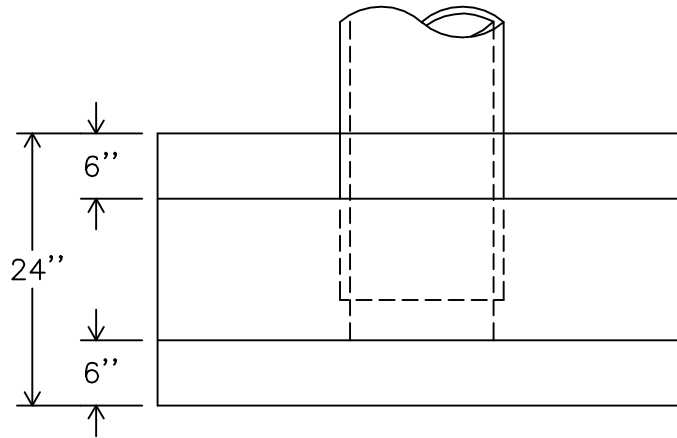




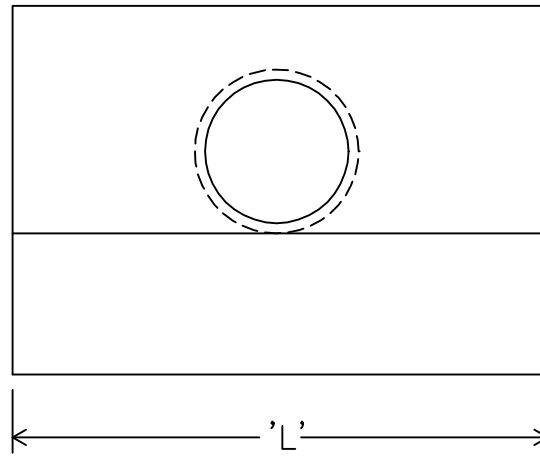
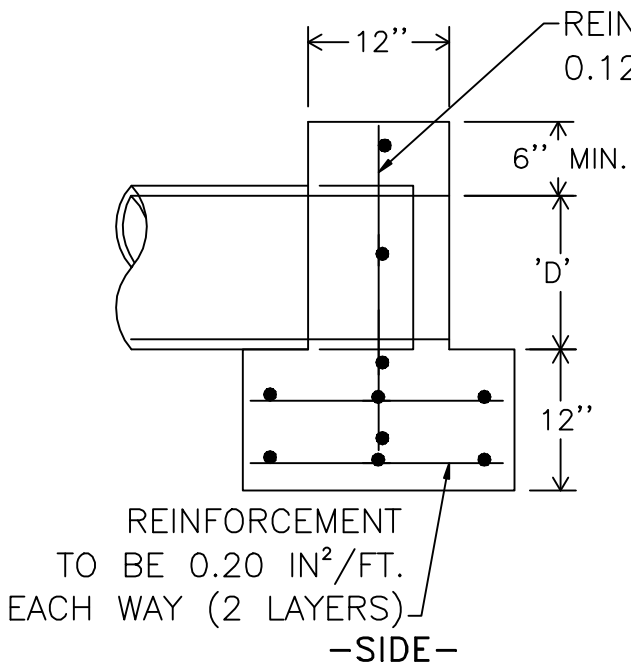
MONARCH

MONARCH PRODUCTS COMPANY, INC. YORK HAVEN, PA.

PIPE DIA.	L
21" & LESS	5'-0"
24" & 27"	7'-0"
30" & 33"	9'-0"



-PLAN-



-ELEVATION-

*MEETS PENN DOT RC-31 SPECIFICATION
*CUSTOM SIZES AVAILABLE

TYPE D PRECAST ENDWALL

DWG. OS-15