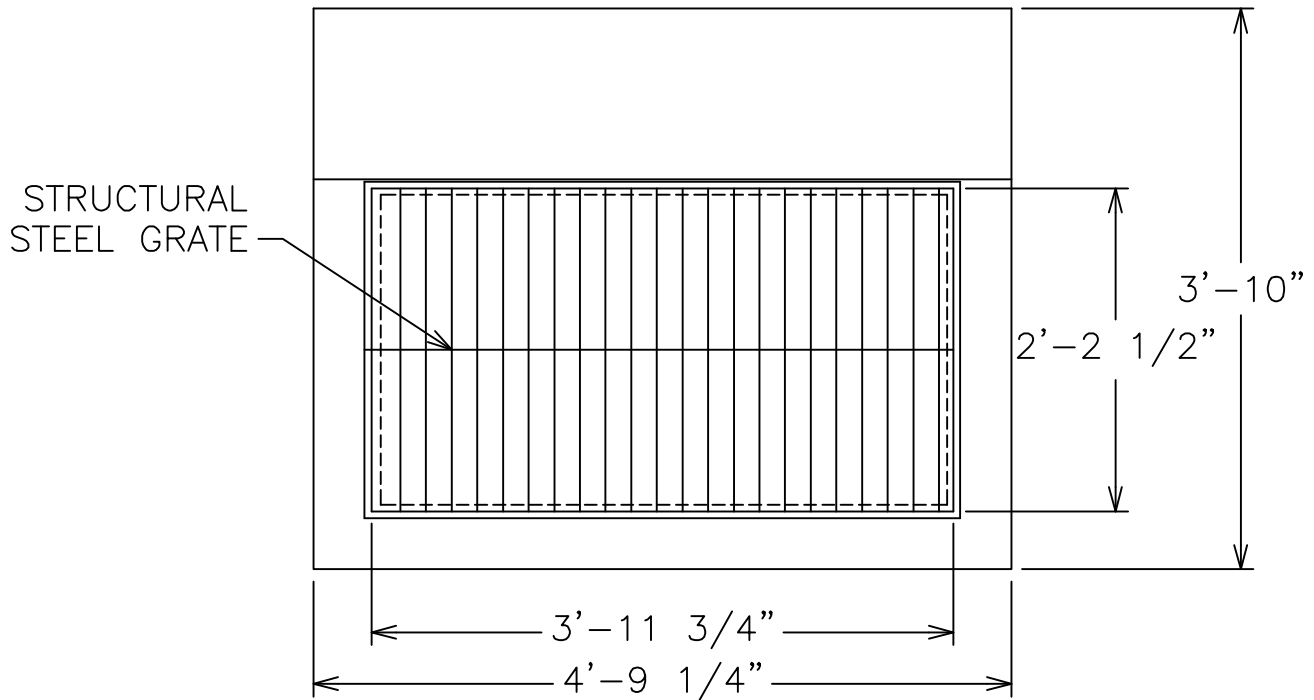


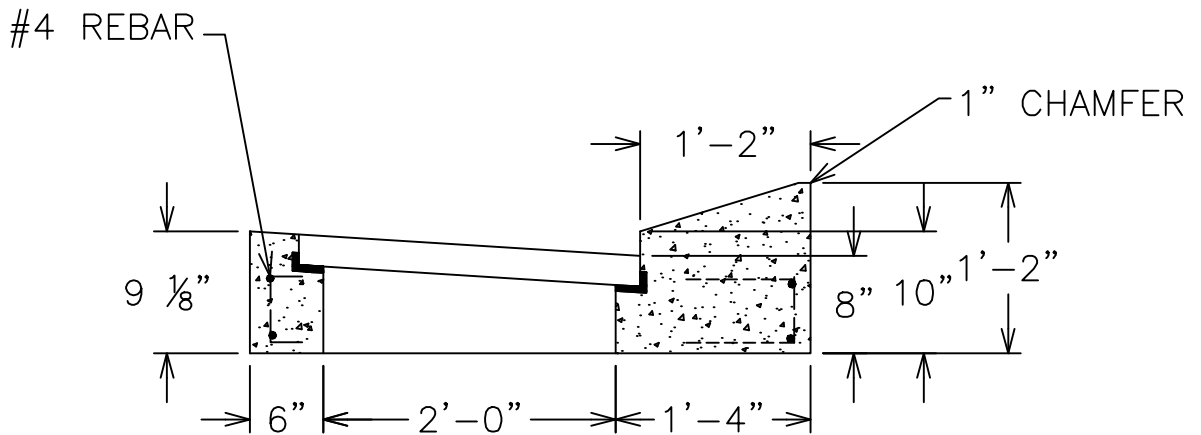


MONARCH

MONARCH PRODUCTS COMPANY, INC.
YORK HAVEN, PA.



-PLAN-



-SECTION-

SLANT CURB
CONCRETE INLET TOP

DWG. 1-4