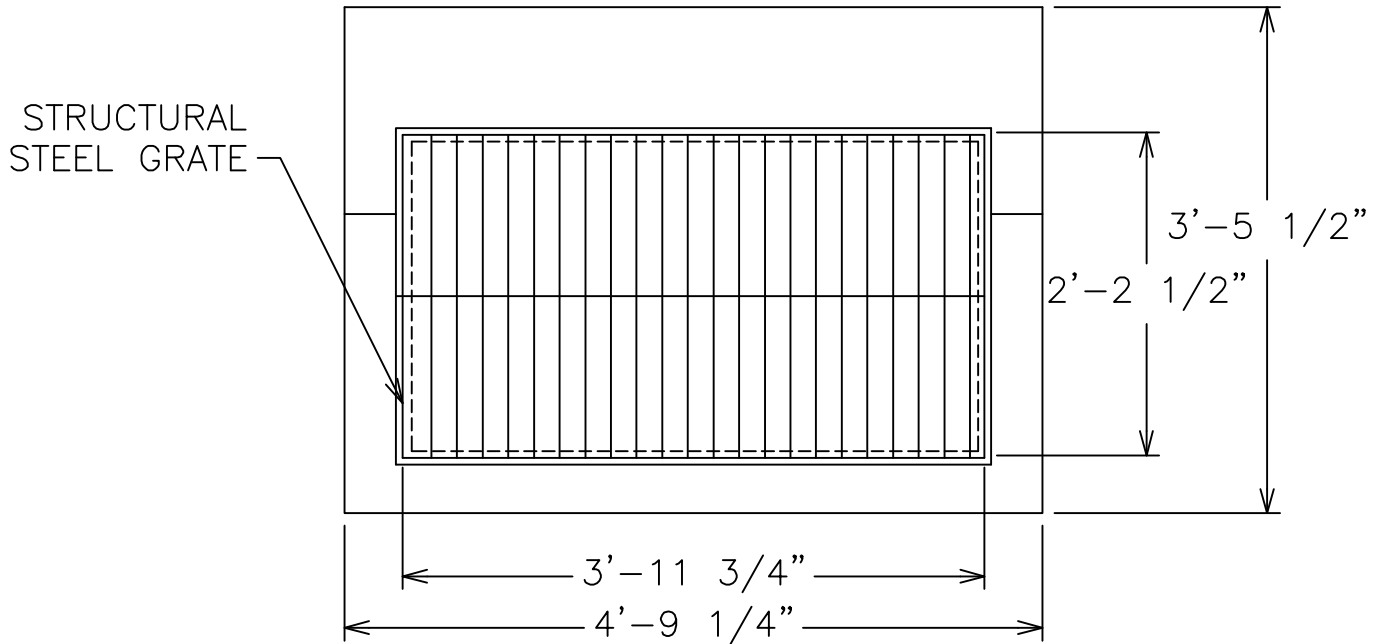




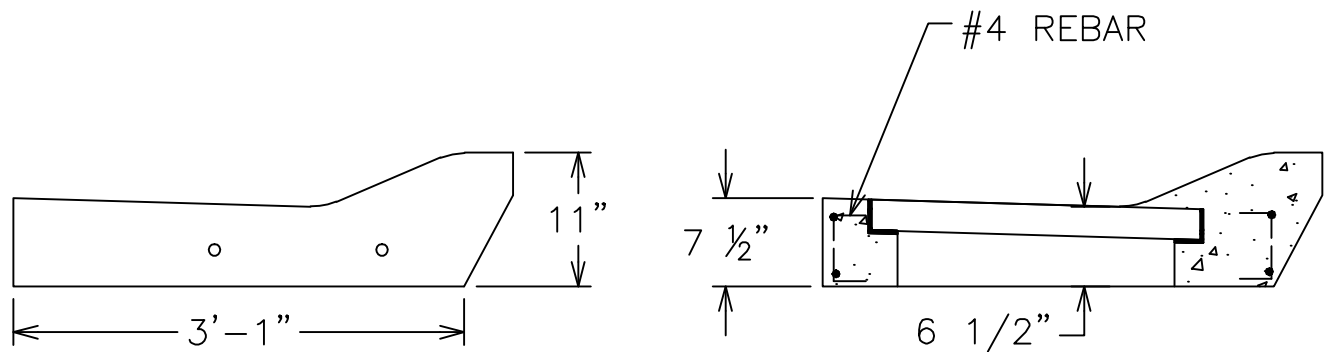
MONARCH

MONARCH PRODUCTS COMPANY, INC.

YORK HAVEN, PA.



-PLAN-



-ELEVATION-

-SECTION-

ROLLED CURB
CONCRETE INLET TOP

DWG. 1-5