

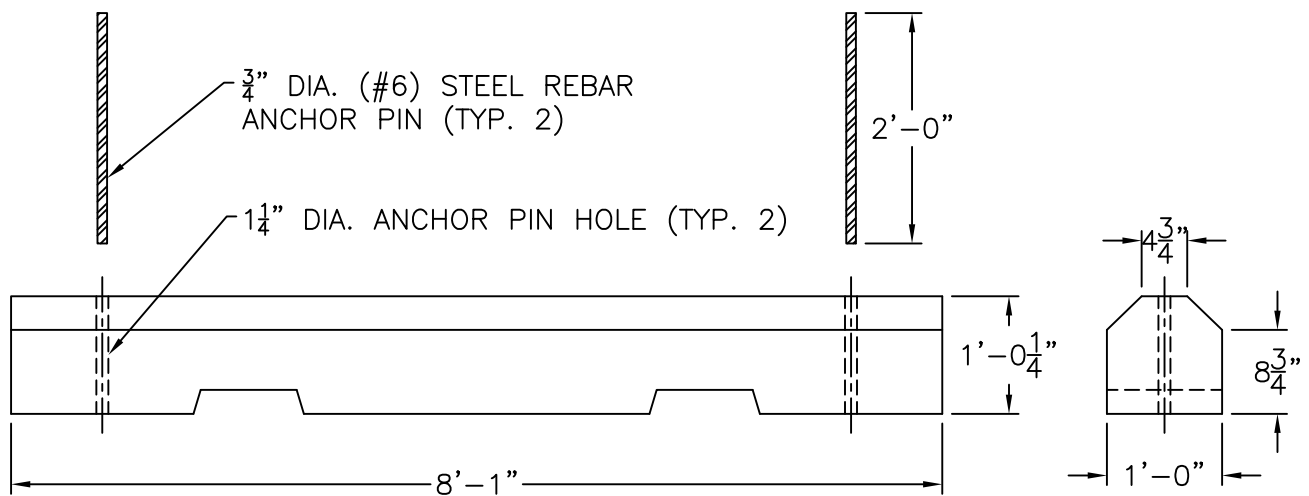
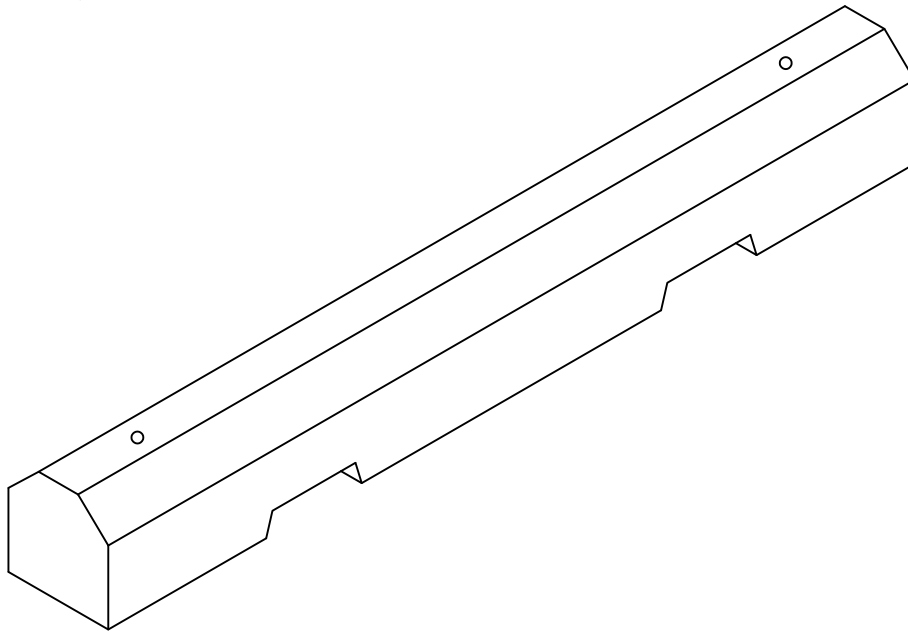


MONARCH

MONARCH PRODUCTS COMPANY, INC.
YORK HAVEN, PA.

NOTES:

1. CONCRETE TO BE 4000 P.S.I.
2. REINFORCED WITH 4 - #5 BARS
3. WEIGHT = 1,035 LBS.



PRECAST TRUCK BUMPER BLOCK

DWG. BB-8