

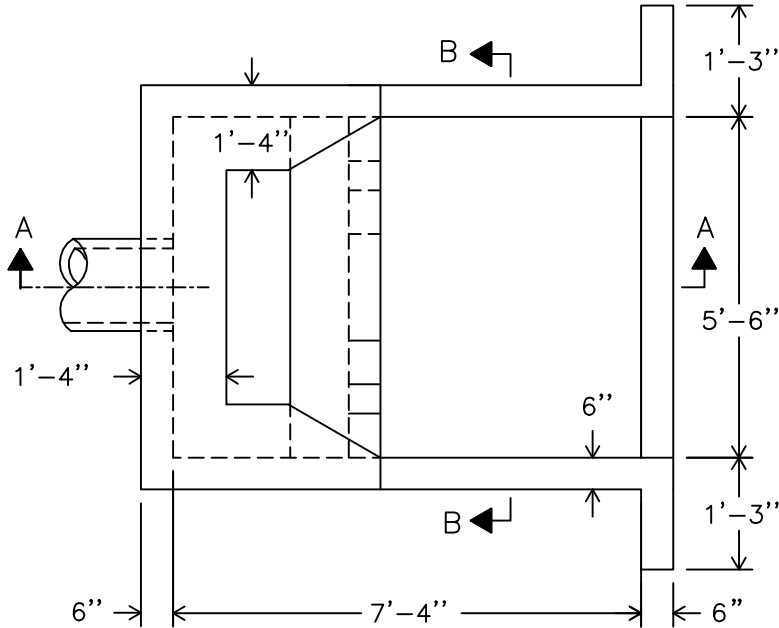


MONARCH

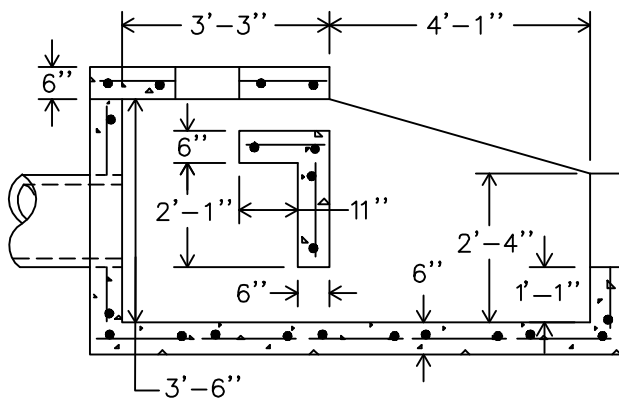
MONARCH PRODUCTS COMPANY, INC.

YORK HAVEN, PA.

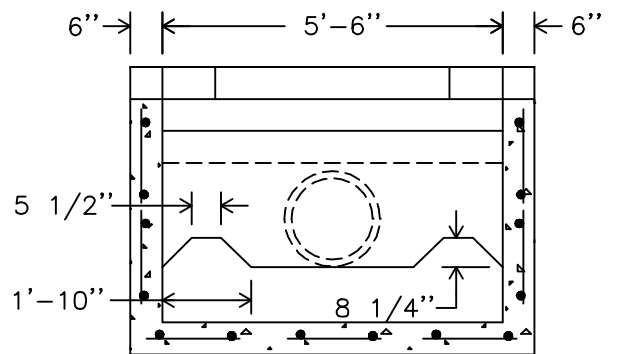
MAXIMUM RECOMMENDED
PIPE SIZE - 18" DIAMETER



-PLAN-



-SECTION AA-



-SECTION BB-

NOTES:

1. CONCRETE IS 6,000 PSI @ 28 DAYS
2. REINFORCING #4 BARS @ 12" E.W. TYP. ALL WALLS

PRECAST STILLING BASIN

DWG. OS-16