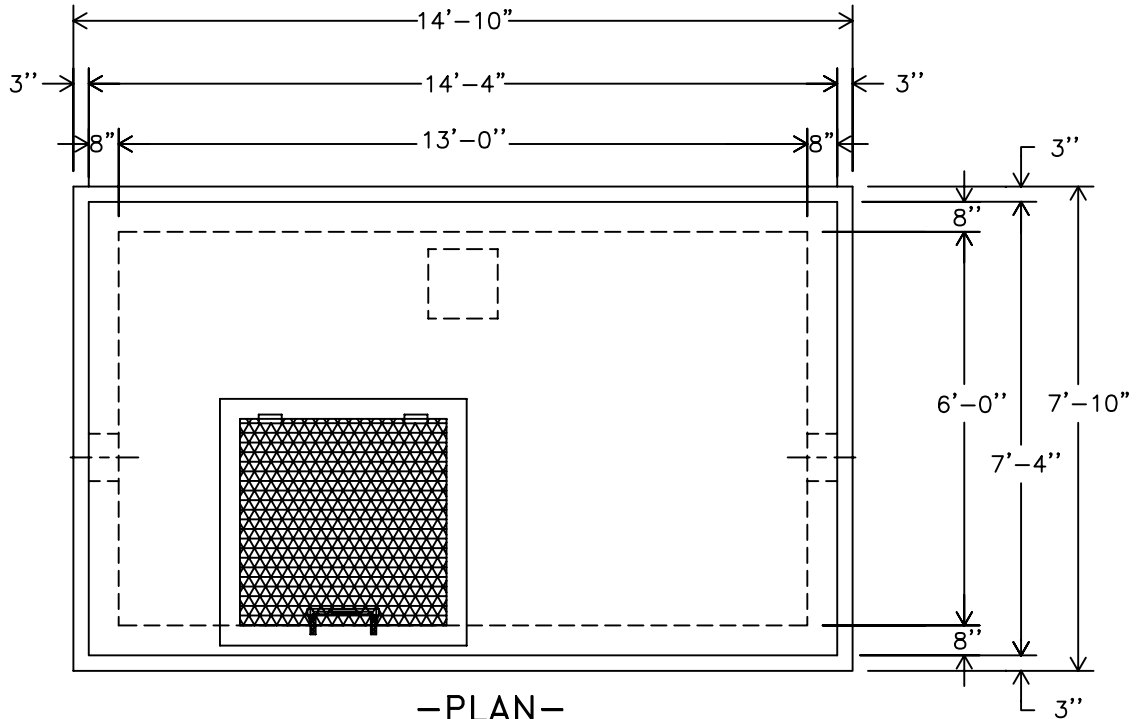




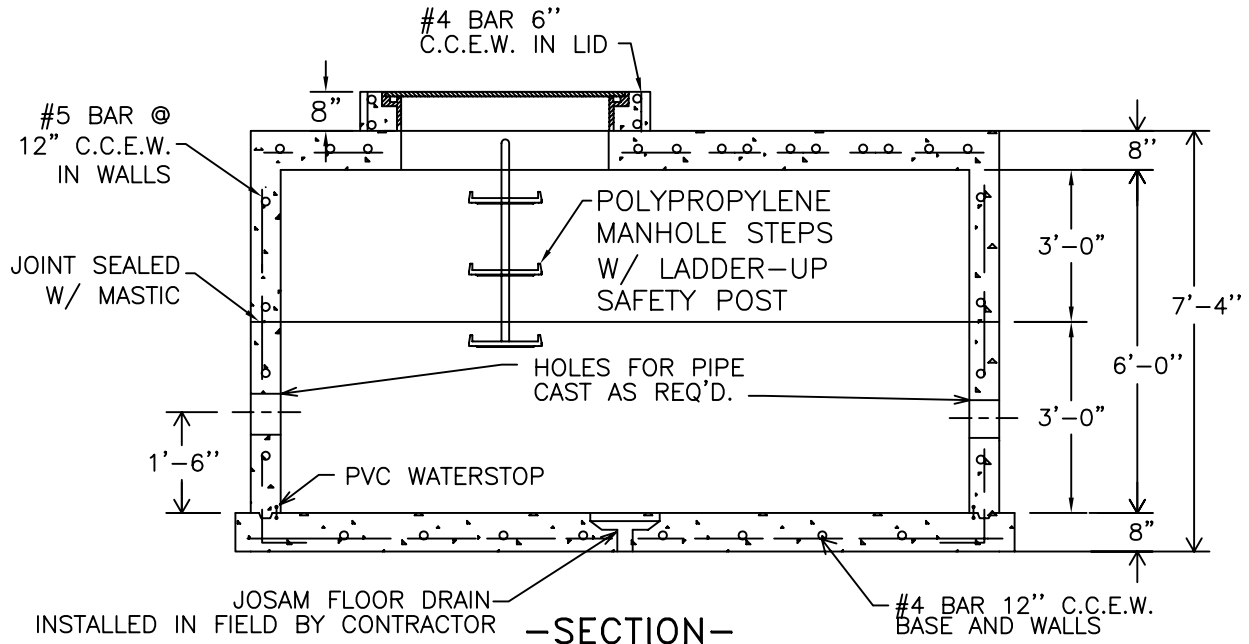
MONARCH

MONARCH PRODUCTS COMPANY, INC.

YORK HAVEN, PA.



-PLAN-



-SECTION-

STRUCTURE WILL NOT WITHSTAND H-20 LOADING

PRECAST REINFORCED CONCRETE 6' X 13' X 6' WATER METER PIT

DWG. NO.
LW-6136