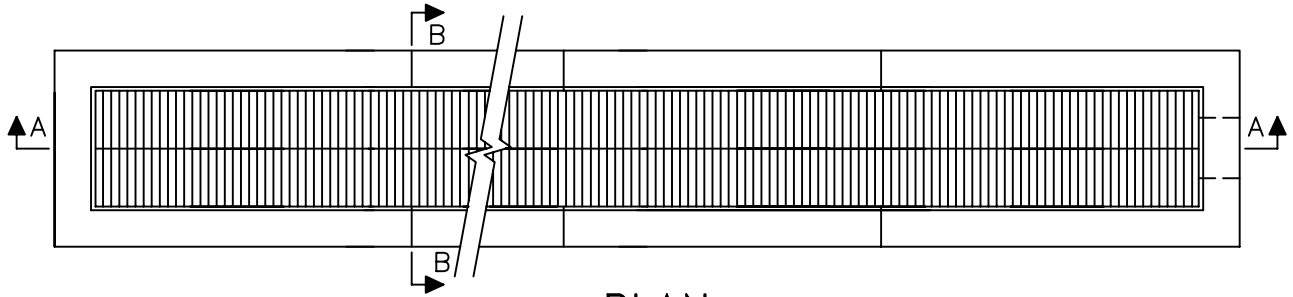




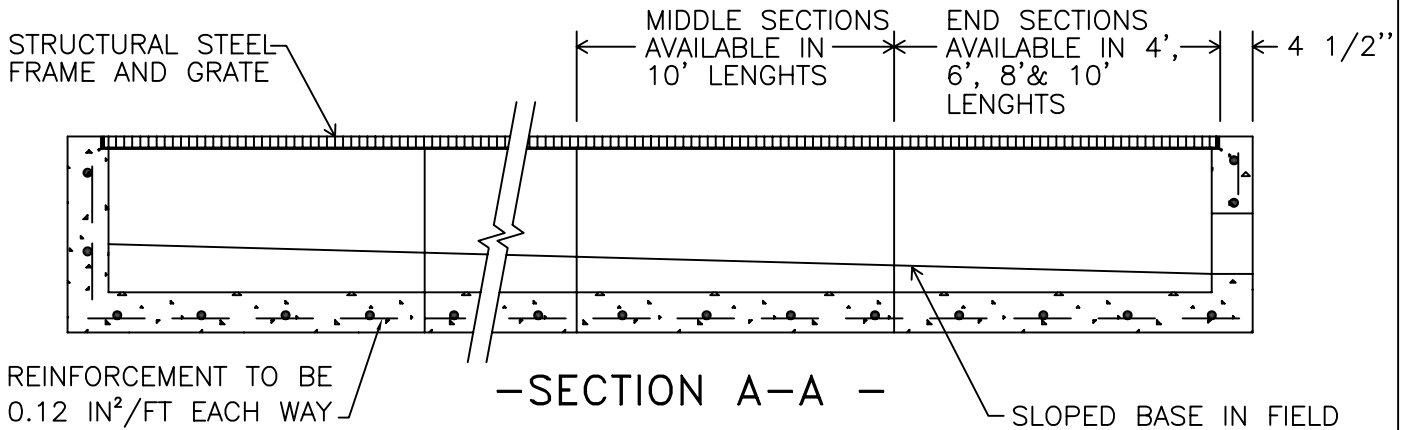
MONARCH

MONARCH PRODUCTS COMPANY, INC.

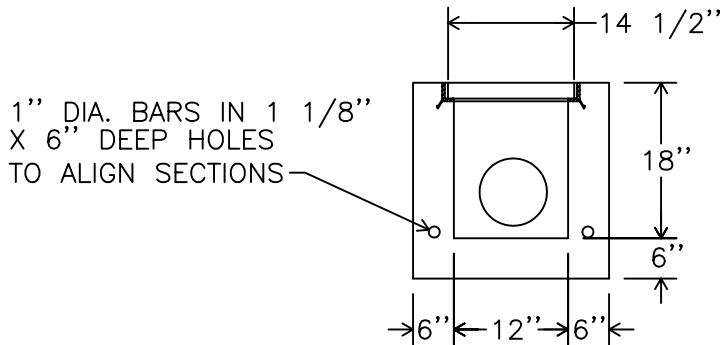
YORK HAVEN, PA.



-PLAN-



-SECTION A-A -



-SECTION B-B -

NOTE: STRUCTURE IS RATED FOR H-20 TRAFFIC LOADING.

PRECAST CONCRETE TRENCH DRAINS
WITH 14 1/2" WIDE GRATING

DWG. TD-3