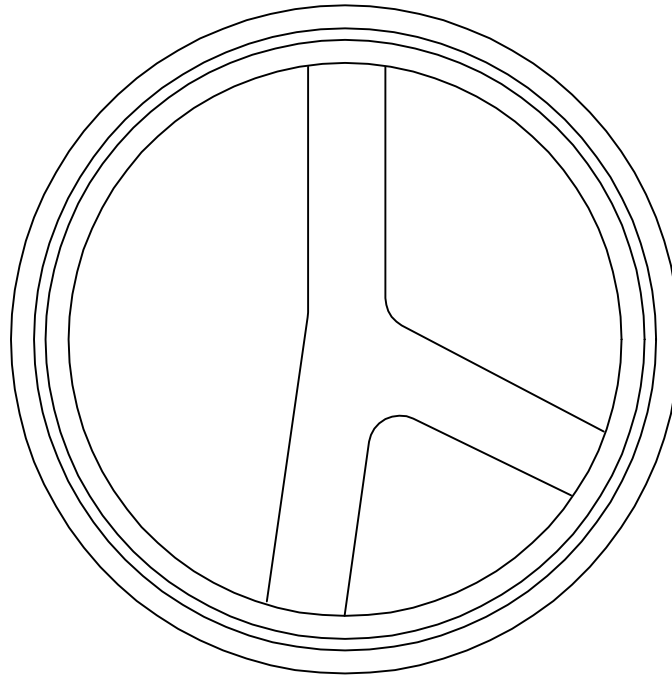




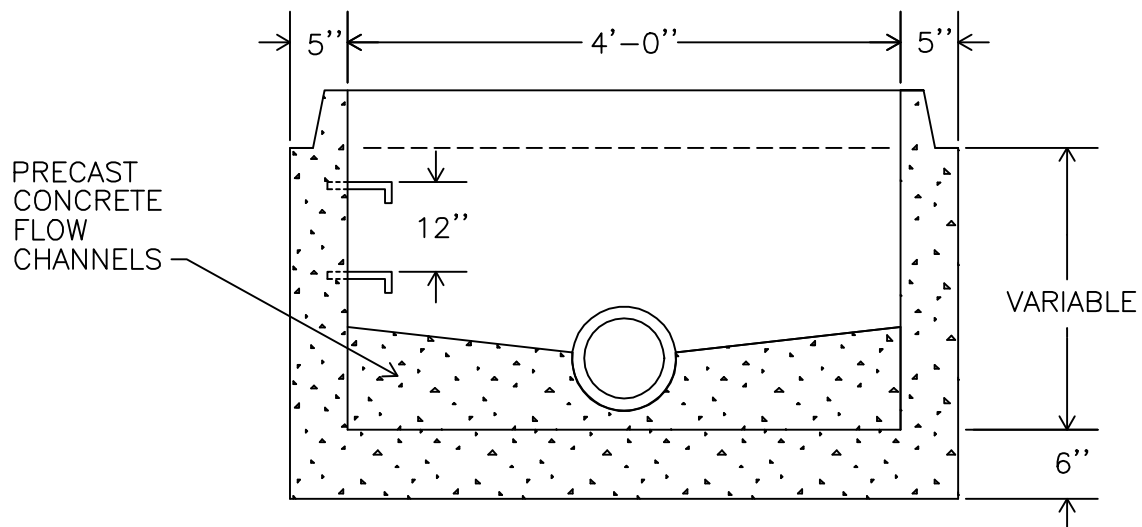
MONARCH

MONARCH PRODUCTS COMPANY, INC.
YORK HAVEN, PA.

NOTE:
1. MEETS ASTM C-478 SPECIFICATIONS.



-PLAN-



-SECTION-

PRECAST CONCRETE MANHOLE BASE
4 FT. DIAMETER W/ FLOW CHANNELS

DWG. MH-4B