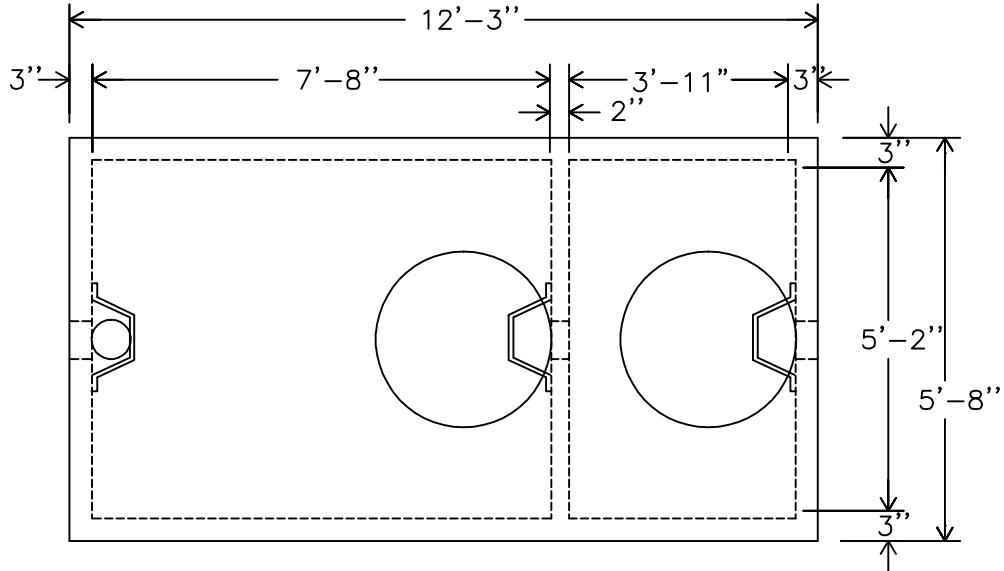


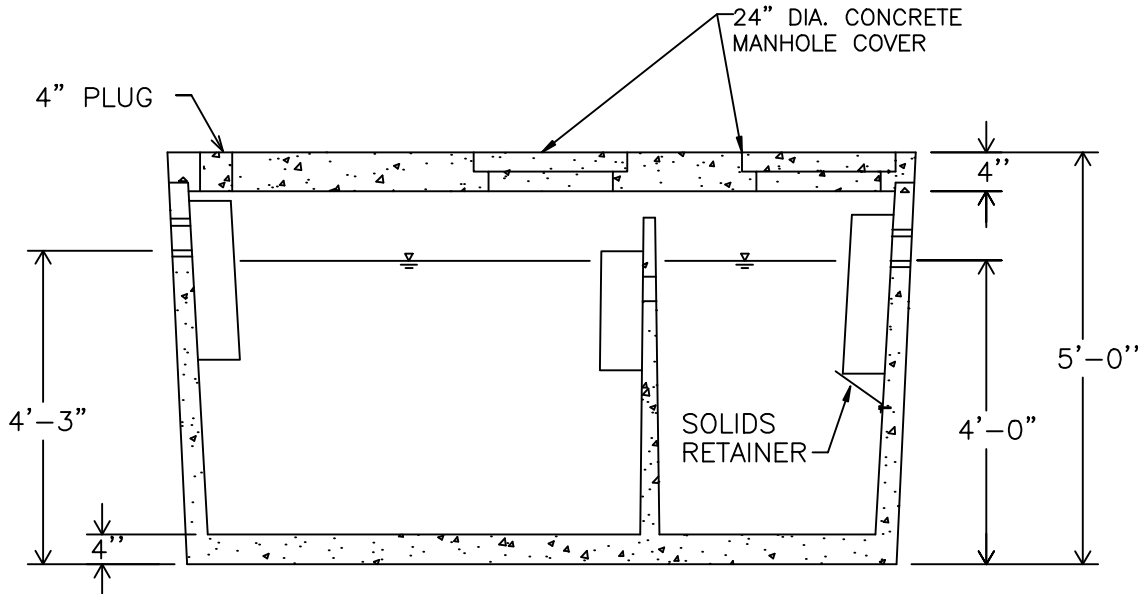


MONARCH

MONARCH PRODUCTS COMPANY, INC.
YORK HAVEN, PA.



-PLAN-



-SECTION-

PRECAST 2 COMPARTMENT SEPTIC TANK
1500 GALLON CAPACITY

DWG. ST-15-2