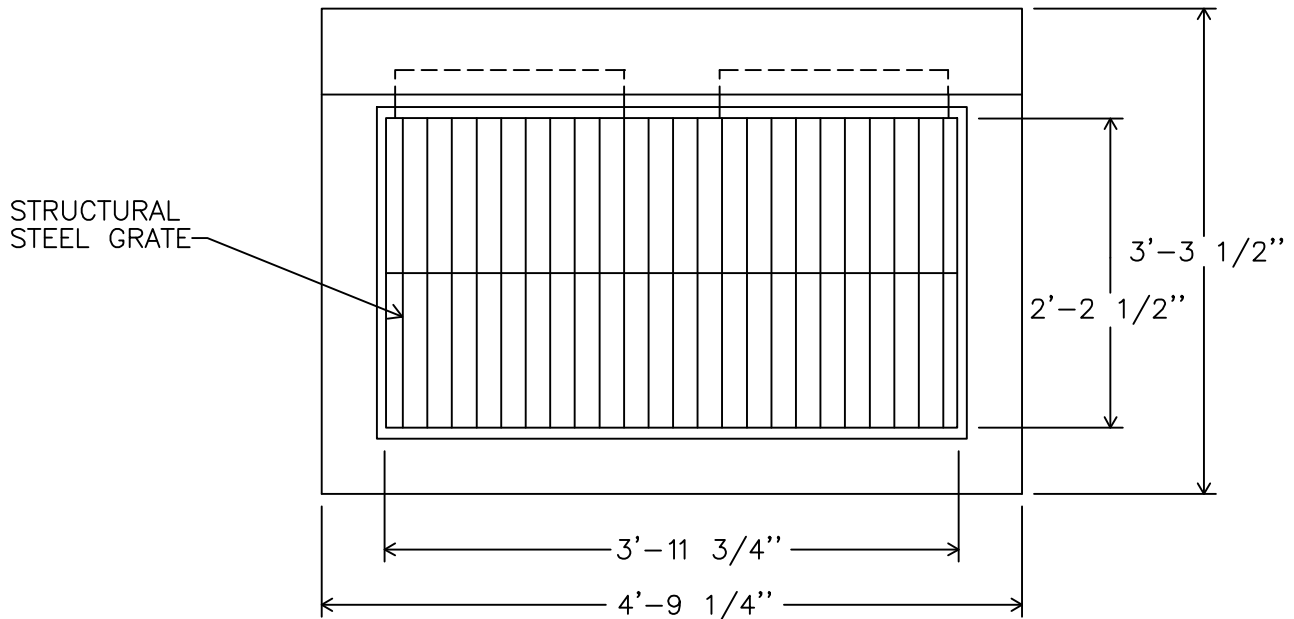


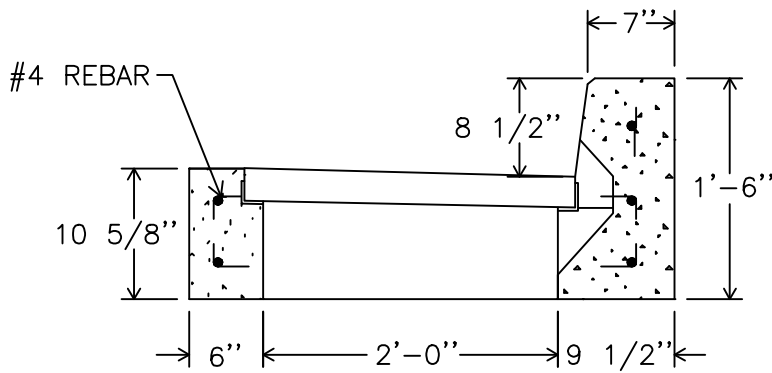


MONARCH

MONARCH PRODUCTS COMPANY, INC.
YORK HAVEN, PA.



-PLAN-



-SECTION-

ALSO AVAILABLE WITH
6", 7" AND 10" CURB HEIGHTS

PENNDOT TYPE C
CONCRETE INLET TOP

DWG. I-1