



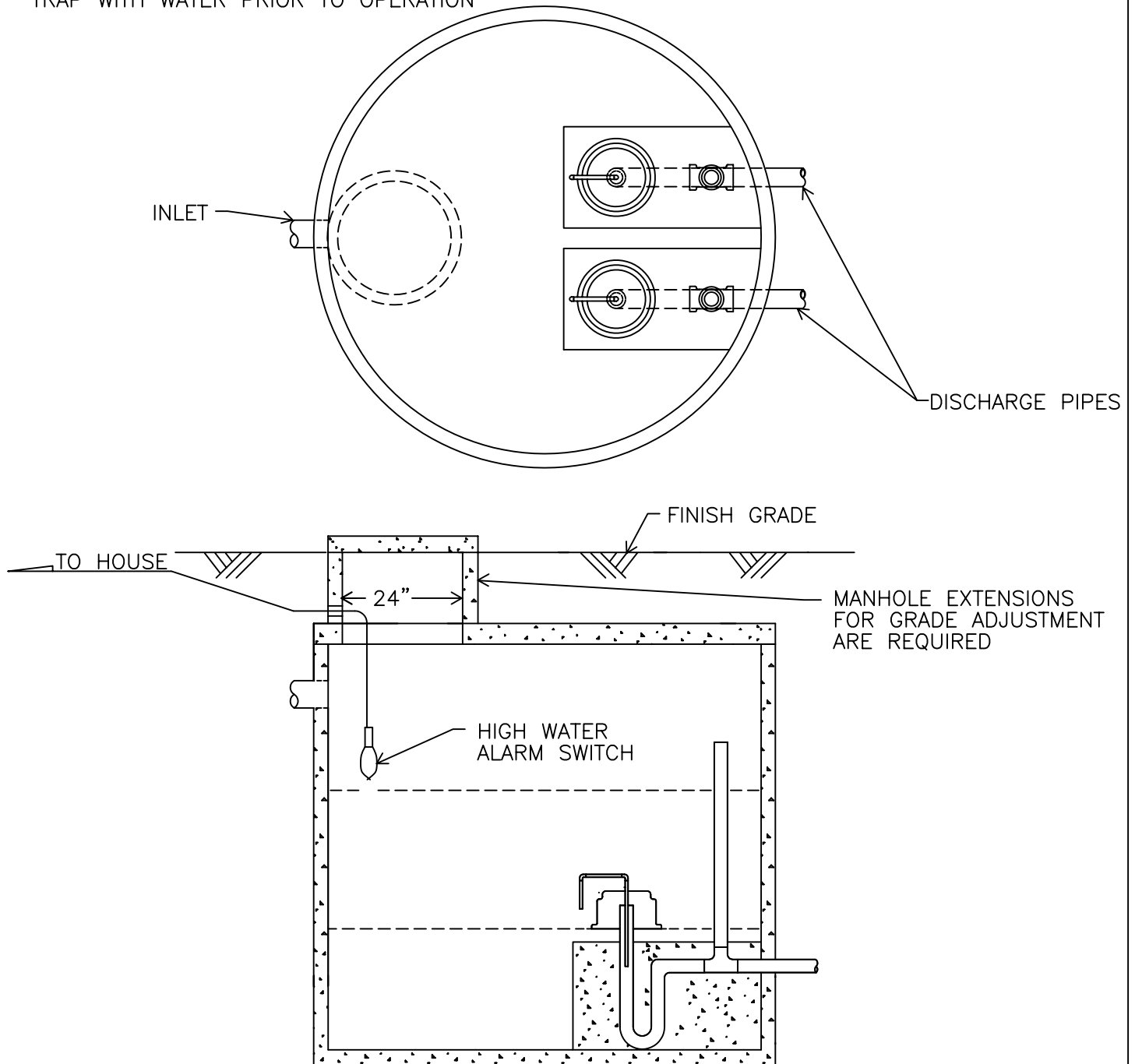
MONARCH

# MONARCH PRODUCTS COMPANY, INC.

YORK HAVEN, PA.

-IMPORTANT-

THE SIPHON TANK MUST BE SET LEVEL  
ON UNDISTURBED SOIL - FILL SIPHON  
TRAP WITH WATER PRIOR TO OPERATION



MULTIPLE SIPHONS FOR VARIOUS  
SIZE TANKS

DWG. S-8A2