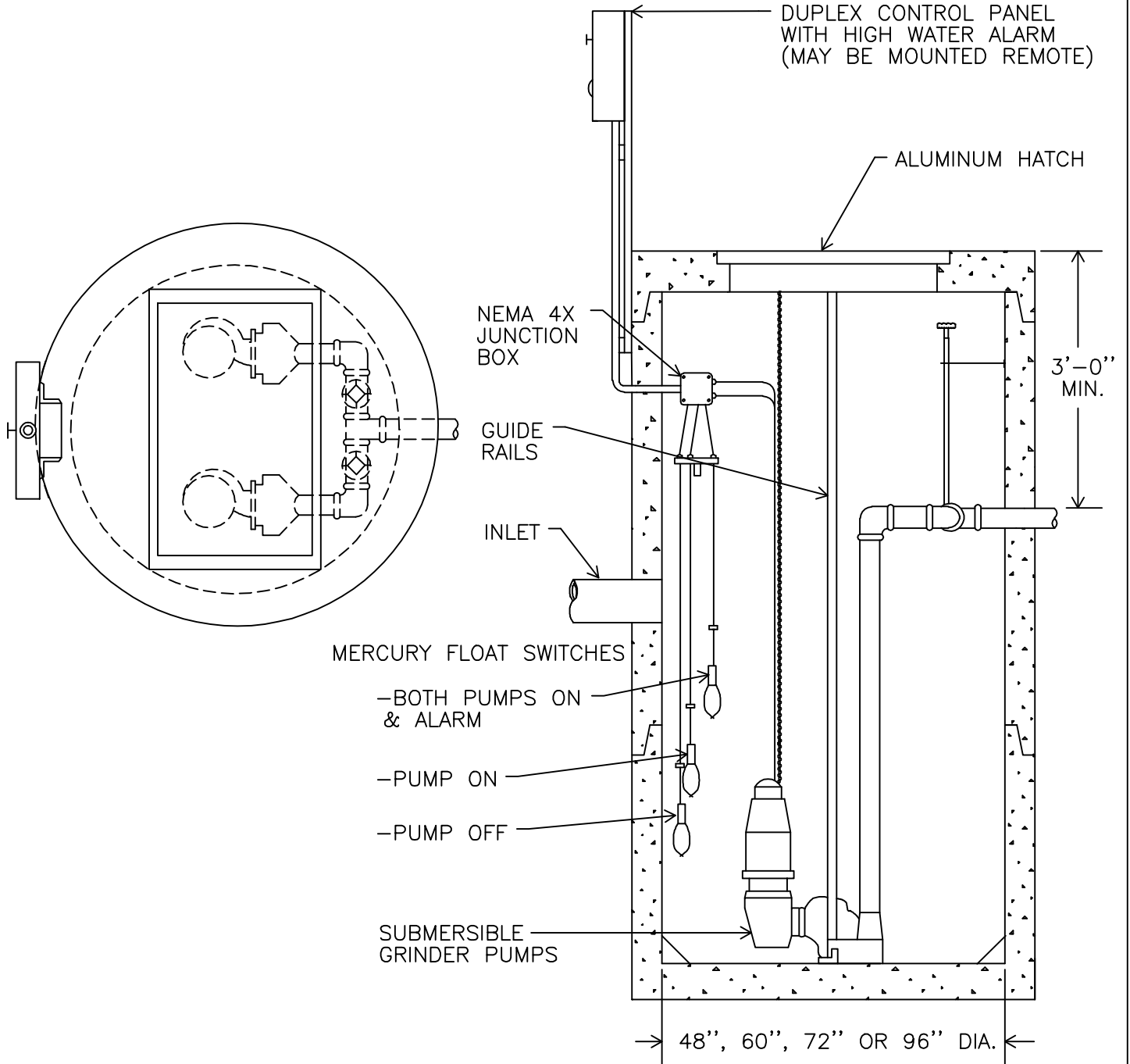




MONARCH

MONARCH PRODUCTS COMPANY, INC.
YORK HAVEN, PA.



DUPLEX GRINDER PUMP STATION
WITH PUMPS ON RAIL SYSTEM

DWG. P-11