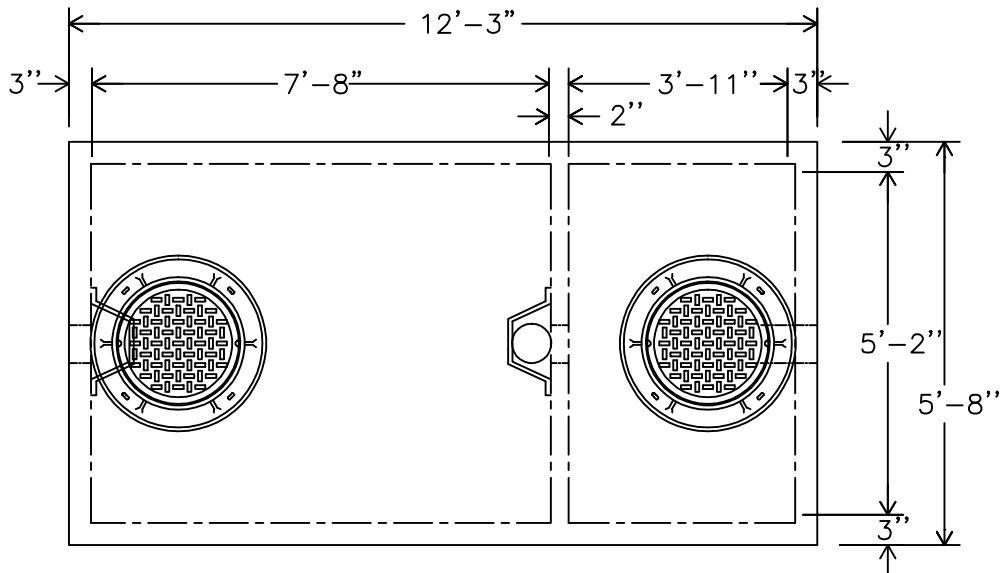


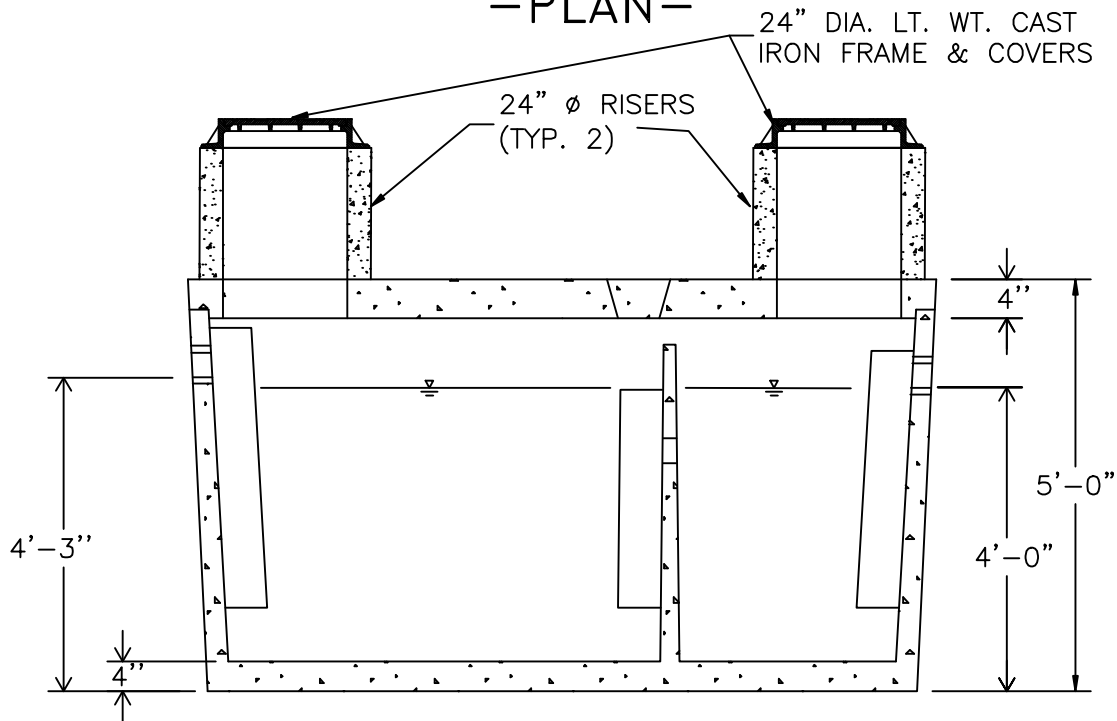


MONARCH

MONARCH PRODUCTS COMPANY, INC.  
YORK HAVEN, PA.



-PLAN-



-SECTION-

PRECAST 2 COMPARTMENT GREASE TRAP  
1500 GALLON CAPACITY - NON TRAFFIC

DWG. GT-152