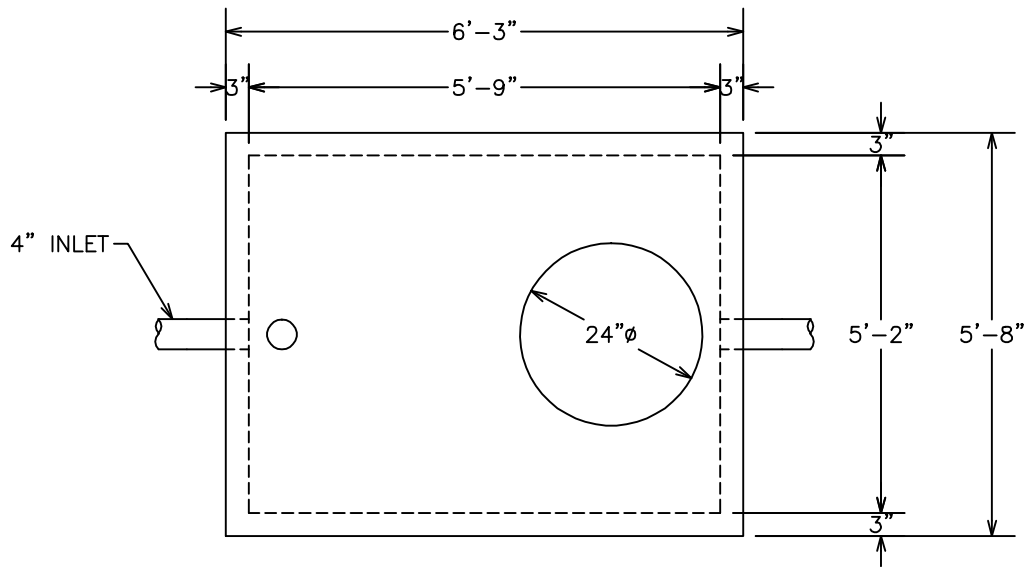




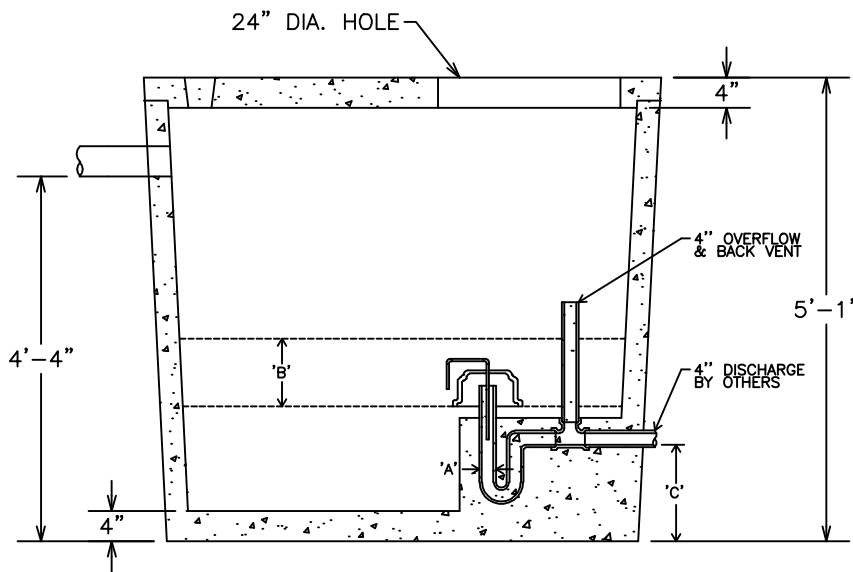
MONARCH

MONARCH PRODUCTS COMPANY, INC.

YORK HAVEN, PA.



-PLAN-



-SECTION-

DIMENSION TABLE

'A'	'B'	'C'	DOSE
3"	13"	15"	240 GAL.
4"	17"	15"	314 GAL.

750 GALLON RECTANGULAR TANK  
WITH 3" SIPHON

DWG. SRT-750