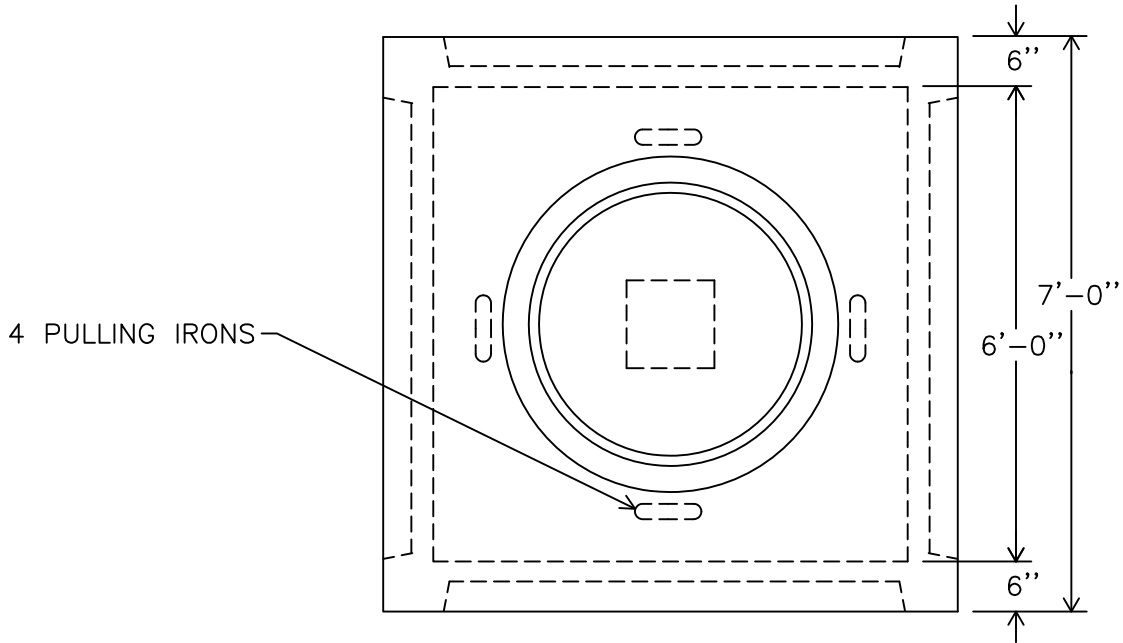




MONARCH

MONARCH PRODUCTS COMPANY, INC.

YORK HAVEN, PA.



-PLAN-

CAST IRON FRAME AND COVER

#5 BARS @ 6" C.C.E.W.

#5 BAR ABOVE AND BELOW EACH KNOCKOUT

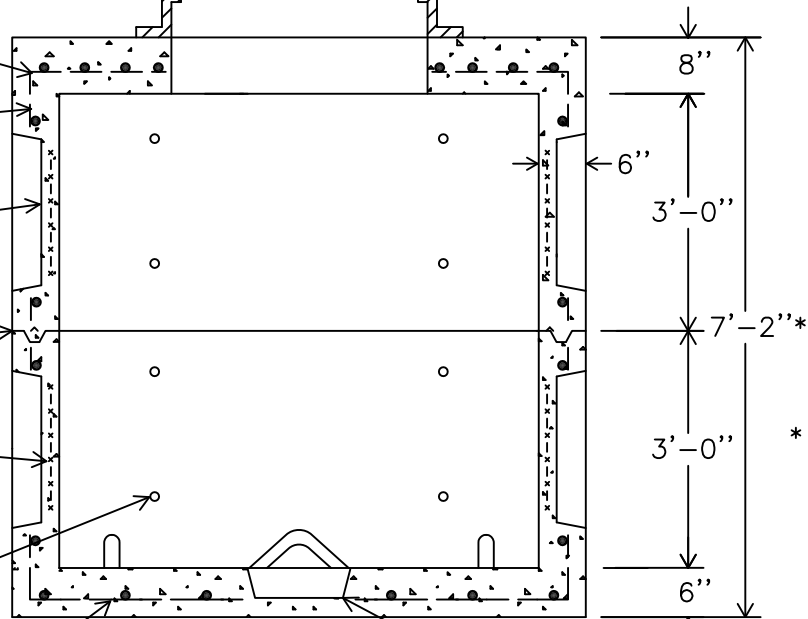
2'-2" X 5'-6" KNOCKOUTS TYP. 8 PLACES

JOINTS SEALED W/ MASTIC

6 X 6 X 6/6 WIRE MESH

8 - 1/2" DIA. THREADED INSERTS (TYP. ALL WALLS)

#5 BARS @ 12 C.C.E.W.



* ALSO AVAILABLE IN 8'-2" & 9'-2" OVERALL DEPTH

-SECTION-

6' X 6' PRECAST CONCRETE MANHOLE

DWG. E-6