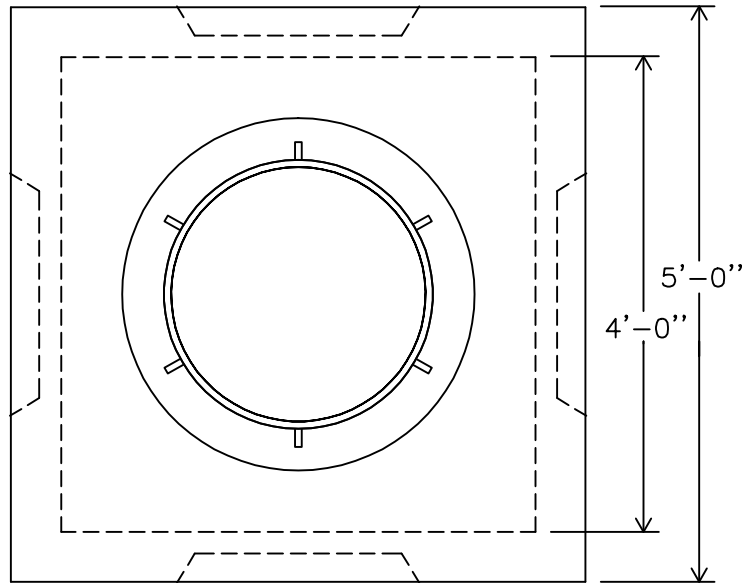


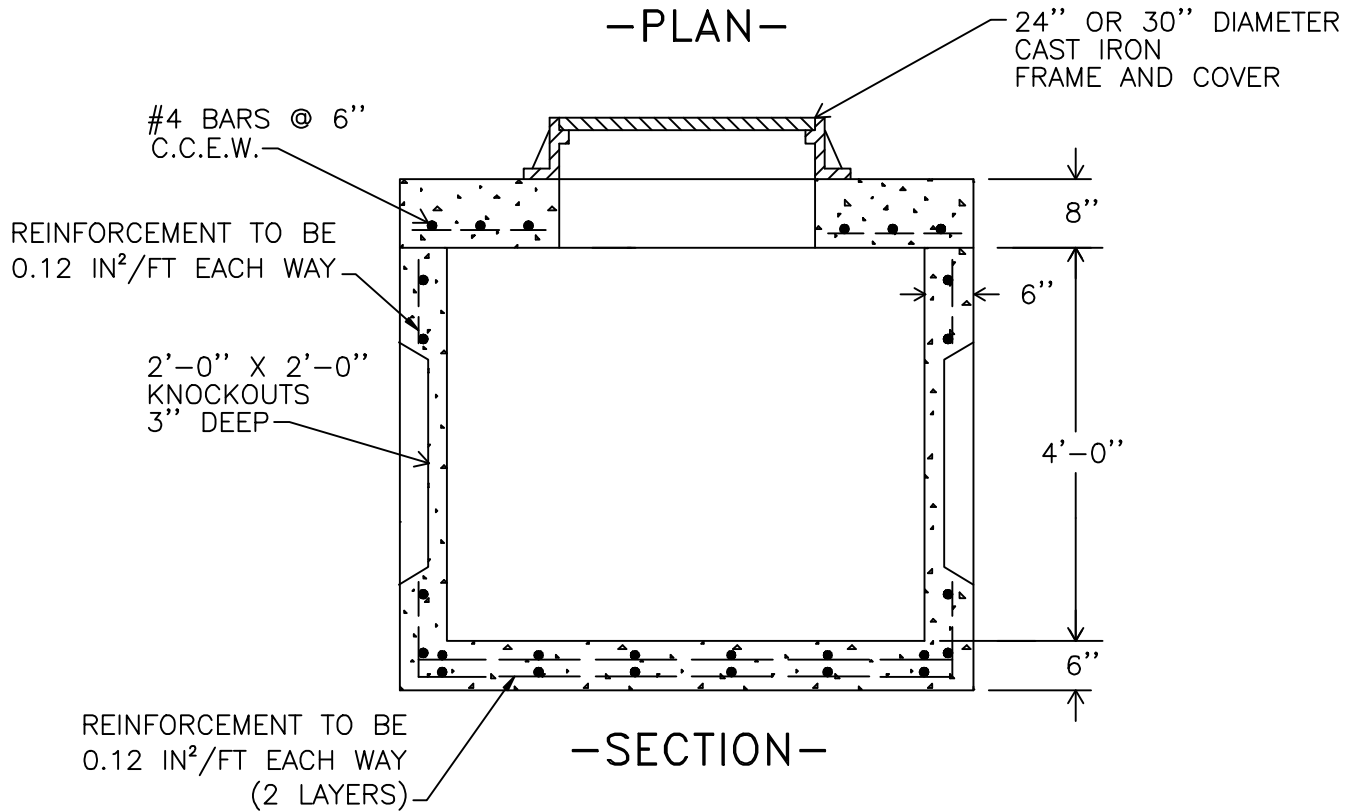


MONARCH

MONARCH PRODUCTS COMPANY, INC.
YORK HAVEN, PA.



-PLAN-



NOTE: PULLING IRONS AVAILABLE IF REQUIRED

4' X 4' PRECAST CONCRETE MANHOLE

DWG. E-4