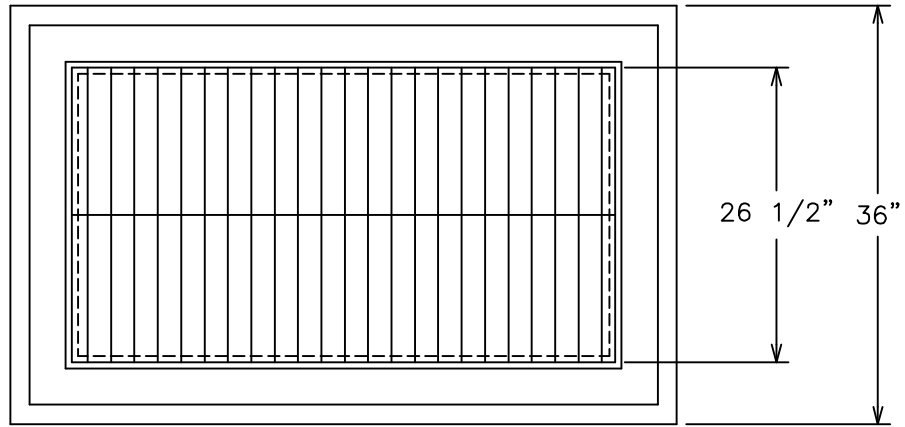
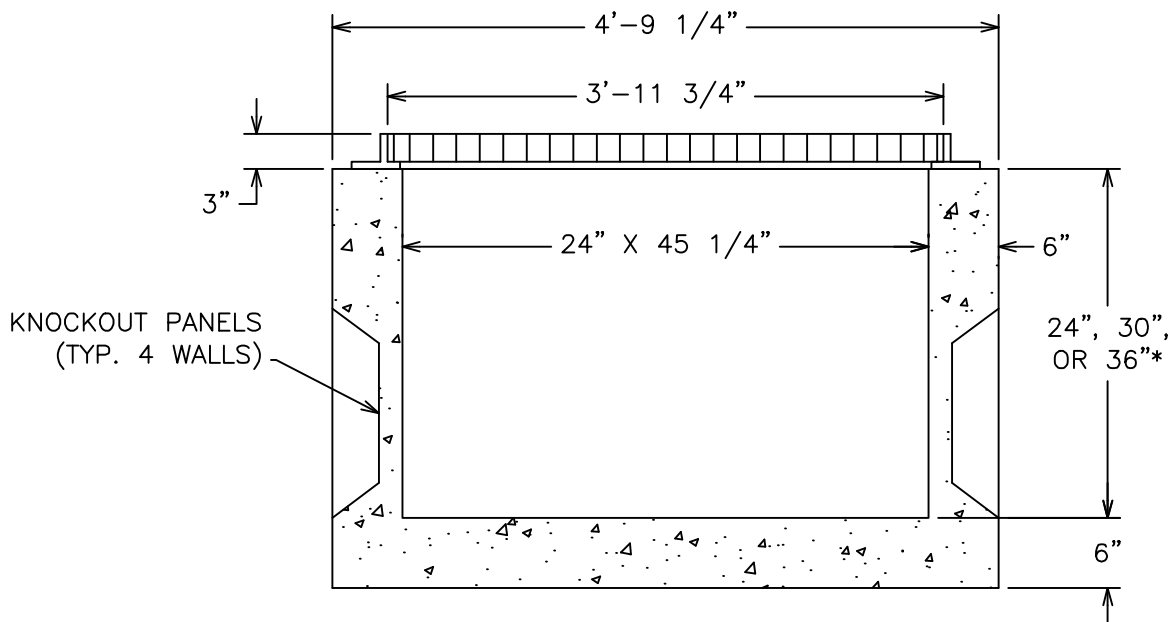




MONARCH PRODUCTS COMPANY, INC.  
YORK HAVEN, PA.



-PLAN-



-SECTION-  
WITH FRAME AND GRATE

\*RISER SECTIONS AVAILABLE

24" X 48" CATCH BASIN

DWG. CB-11