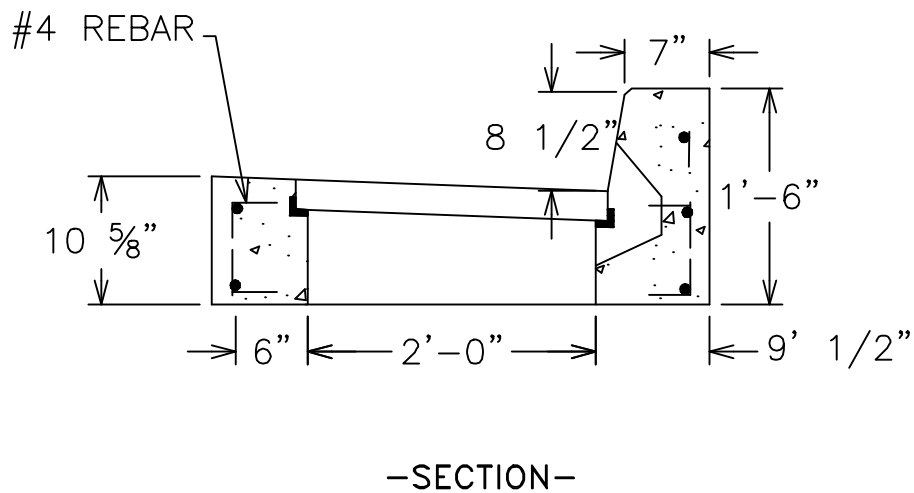
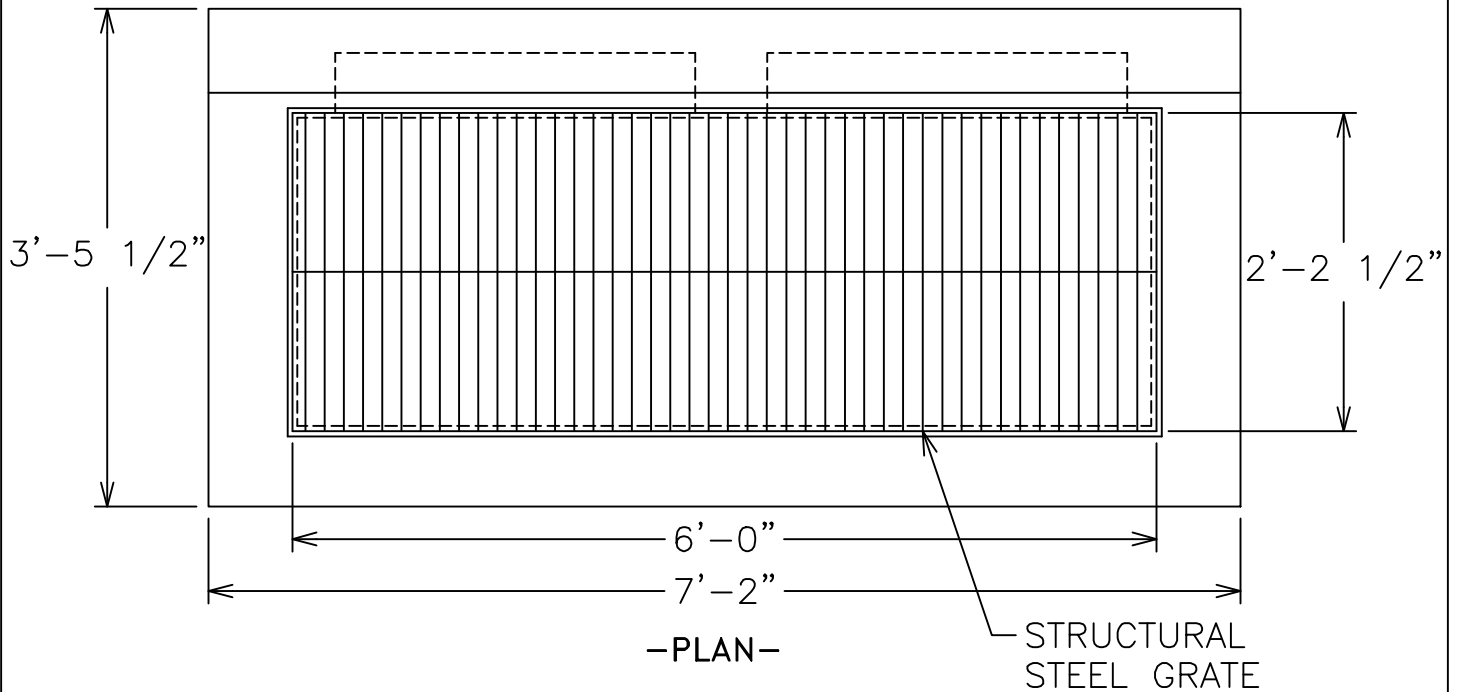




MONARCH

MONARCH PRODUCTS COMPANY, INC.
YORK HAVEN, PA.



*ALSO AVAILABLE WITH
7" & 10" CURB HEIGHTS

2' X 6' TYPE C INLET TOP

DWG. I-12