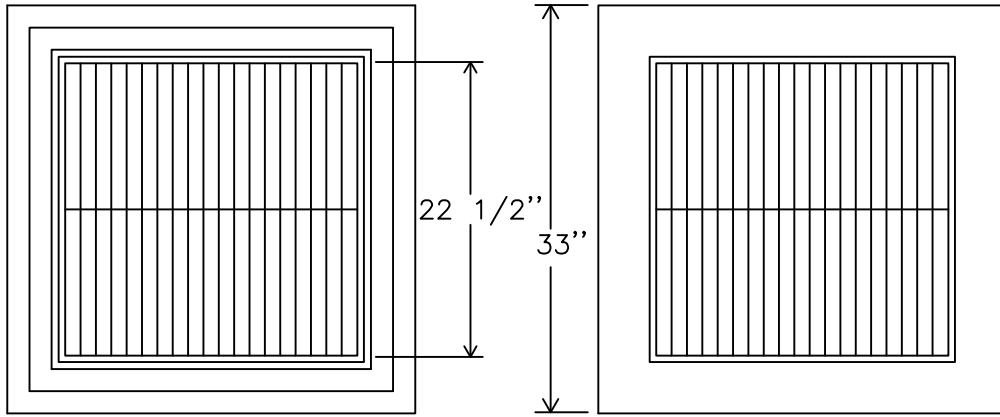




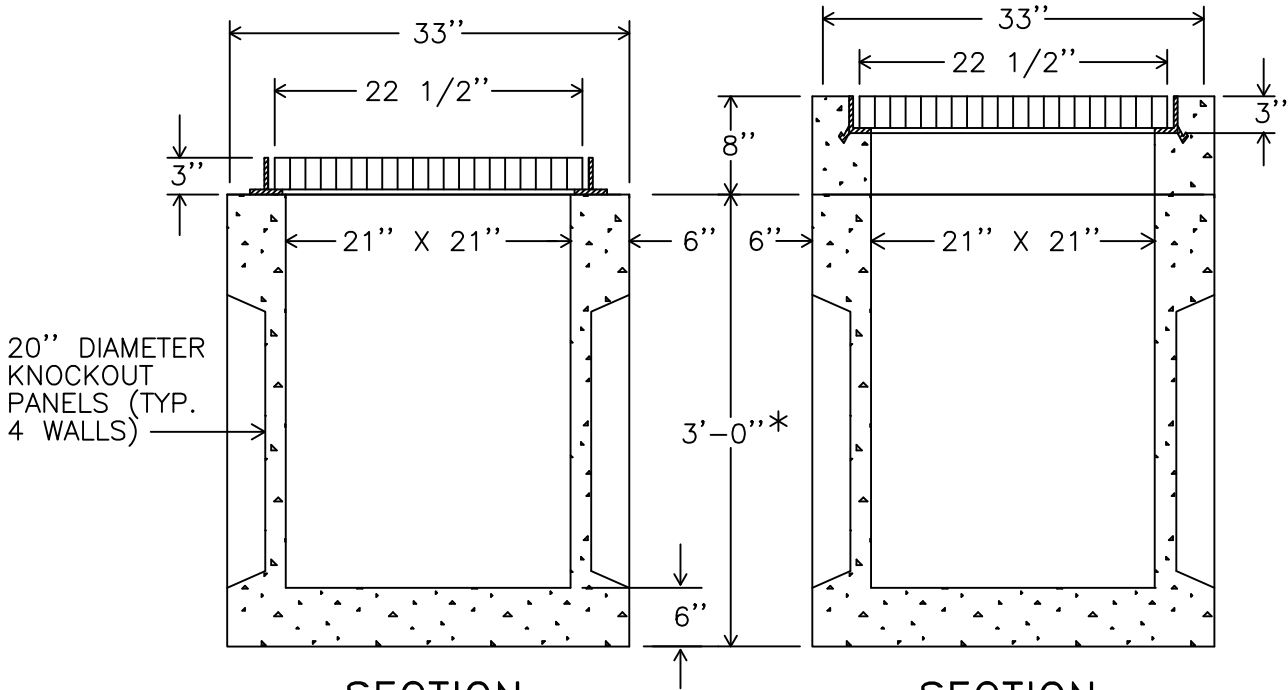
MONARCH

MONARCH PRODUCTS COMPANY, INC.
YORK HAVEN, PA.



-PLAN-

-PLAN-



20" DIAMETER
KNOCKOUT
PANELS (TYP.
4 WALLS)

-SECTION-

WITH FRAME ON TOP

-SECTION-

WITH INLET TOP

*RISER SECTIONS AVAILABLE

21" X 21" CATCH BASIN

DWG. CB-6