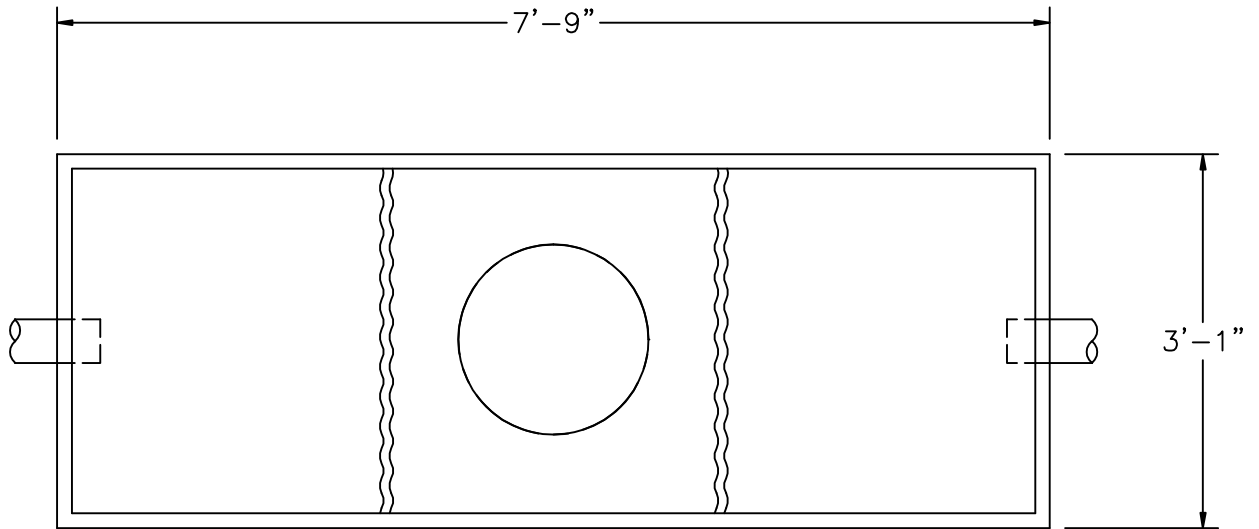


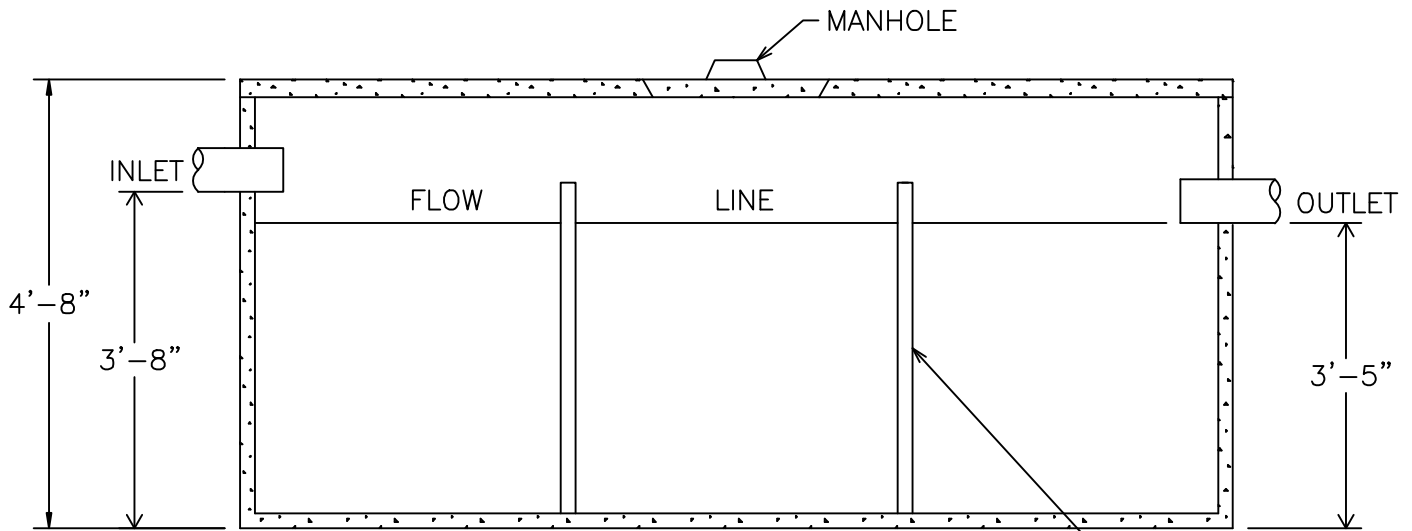


MONARCH

MONARCH PRODUCTS COMPANY, INC.
YORK HAVEN, PA.



-PLAN-



-SECTION-

CORRUGATED
PLASTIC
BAFFLES (TYP.)

CHLORINE CONTACT TANK
415 GALLON CAPACITY

DWG. CCT-1